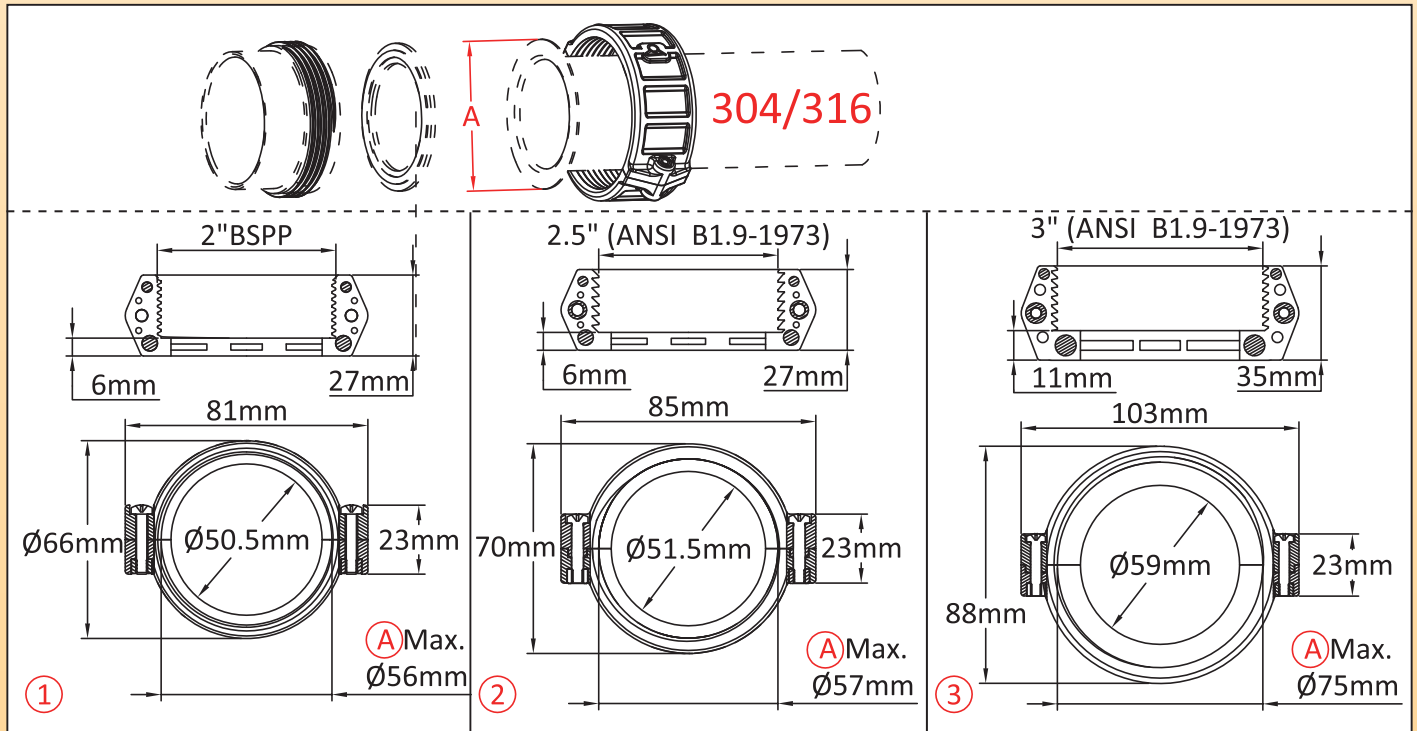





Split nuts for spa and swimming pool heaters. Exist for 2" BSPP, 2" 1/2 and 3" Ansi B1.9 threads (USA)

Minimum Size	Maximum Size	Material	Type	Model
2"(BSPP)	3"(ANSI)	ABS	Split nut	66NS

<p>Compatible with:</p> <ul style="list-style-type: none"> <input checked="" type="checkbox"/> 66RW <input checked="" type="checkbox"/> 66RY <input checked="" type="checkbox"/> Designed to connect spa, swimming pools and aquarium heaters in stainless steel tube, on PVC fittings. 	<p>①</p> 	<p>②</p> 	<p>③</p> 
---	--	---	--



Main references			Links	
①	②	③		
66NSC20060R66000	66NSA25060R70000	66NSA300A1R80000		Page (.pdf)
				Drawing 2D (.dwg)
				Drawing 3D (.stp)

Red dimensions inside rectangular frames on drawings are used for assembly on enclosures or on fittings.

Because of permanent improvement of our products, drawings, descriptions, features used on these data sheets are for guidance only and can be modified without prior advice

