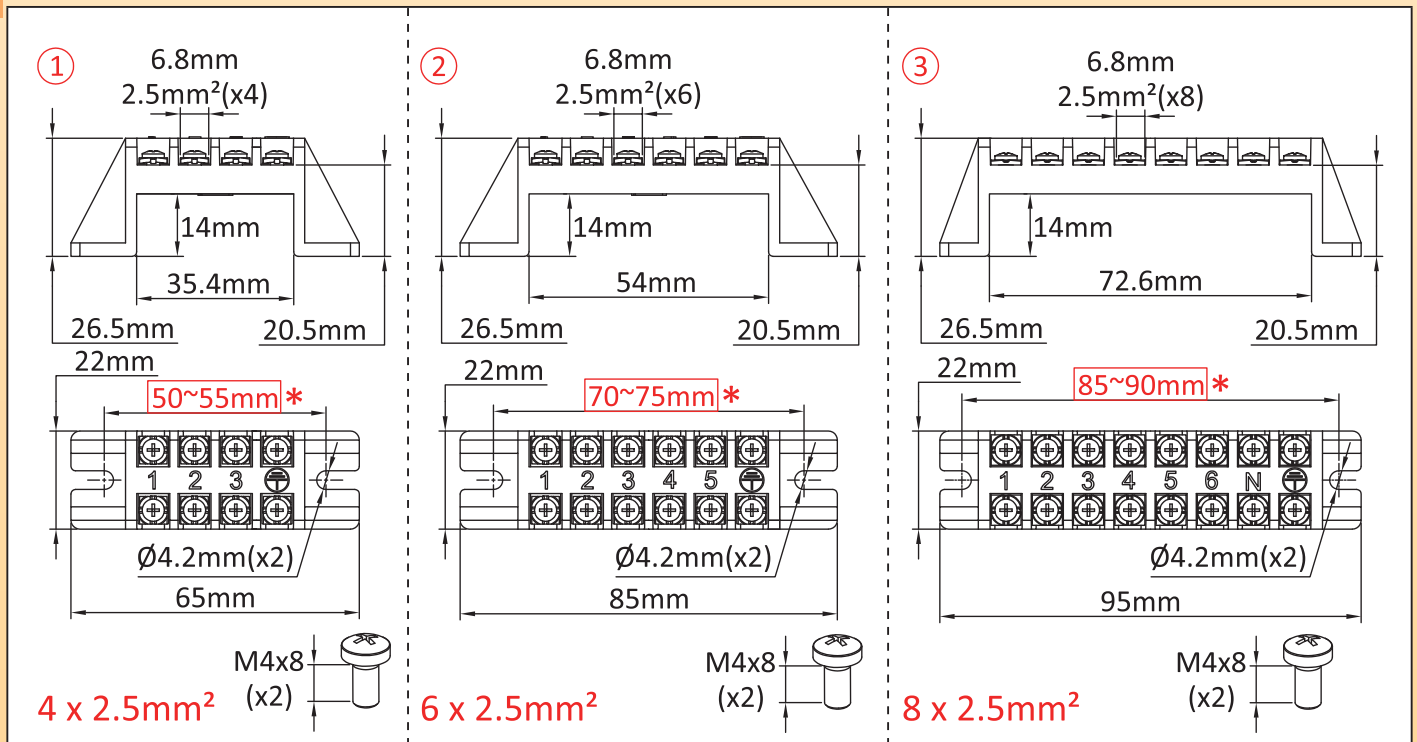
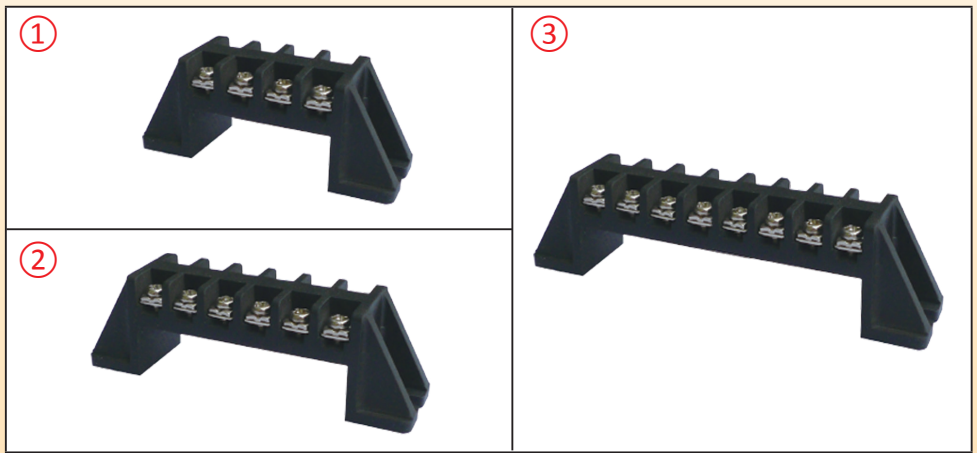


14mm elevated connection blocks, screw terminals on both sides

Minimum Size	Maximum Size	Material	Type	Model
22 × 65 × 26.5MM	22 × 95 × 26.5mm	PA66	Elevated 2.5mm² connection block	BEP BEQ BER

Compatible with:	
①	
<input checked="" type="checkbox"/> Y3P1	<input checked="" type="checkbox"/> Y3P3
②	
<input checked="" type="checkbox"/> Y3F1	<input checked="" type="checkbox"/> Y3F2
<input checked="" type="checkbox"/> Y3F3	<input checked="" type="checkbox"/> Y3C6
<input checked="" type="checkbox"/> Y3C7	<input checked="" type="checkbox"/> Y3C8
<input checked="" type="checkbox"/> Y3O5	<input checked="" type="checkbox"/> Y3P4
<input checked="" type="checkbox"/> Y3S5	<input checked="" type="checkbox"/> Y3S6
③	
<input checked="" type="checkbox"/> Y3P6	<input checked="" type="checkbox"/> Y3P5



Main references

①	②	③
BEPF4F4000000P00	BEQF6F6000000P00	BERF8F8000000P00

Links

	Page (.pdf)
	Drawing 2D (.dwg)
	Drawing 3D (.stp)

Red dimensions inside rectangular frames on drawings are used for assembly on enclosures or on fittings.

