

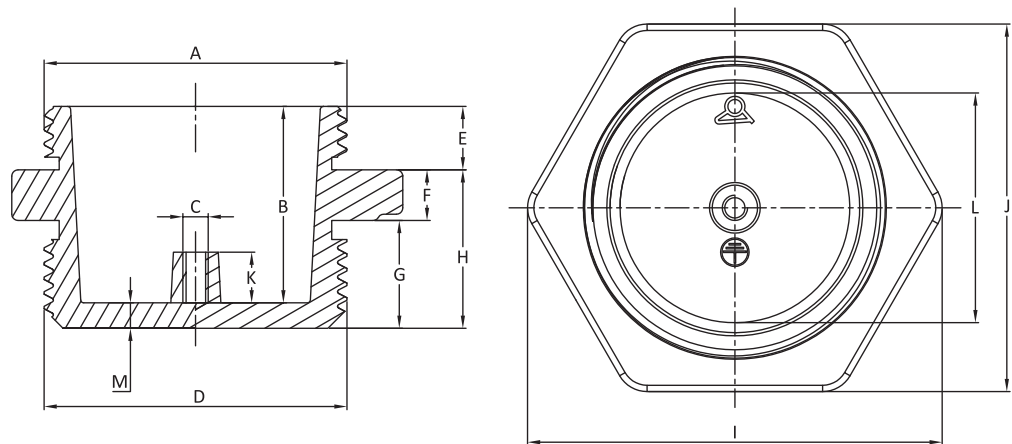
## Brass fittings, double thread, with center grounding terminal

Minimum Size	Maximum Size	Material	Type	Model
1"	1¼"	Brass	Double thread, central ground	66RD

Compatible accessories	
<input checked="" type="checkbox"/> 66JP	<input checked="" type="checkbox"/> 66NL
<input checked="" type="checkbox"/> 66JF	<input checked="" type="checkbox"/> 66XN
Compatible enclosures	
<input checked="" type="checkbox"/> Y3L1	
<input checked="" type="checkbox"/> Y3L3	
<input checked="" type="checkbox"/> Y3S3	
<input checked="" type="checkbox"/> Y3O3	
<input checked="" type="checkbox"/> Y3O4	






	1"	1-1/4"
A	1"	1-1/4"
B	31	31
C	M4	M4
D	1"	1-1/4"
E	10	10
F	8	8
G	17	17
H	25	25
I	50.5	65.5
J	Hex 45	Hex 58
K	8	8
L	Ø27	Ø35
M	4	4



### Main references

Dimension	References	Dimension	References
1"	66RDA1T0000000000	1-1/4"	66RDA2T0000000000

### Links

	Page (.pdf)
	Drawing 2D (.dwg)
	Drawing 3D (.stp)

Red dimensions inside rectangular frames are used for assembly on enclosures or on fittings.

Because of permanent improvement of our products, drawings, descriptions, features used on these data sheets are for guidance only and can be modified without prior advice

