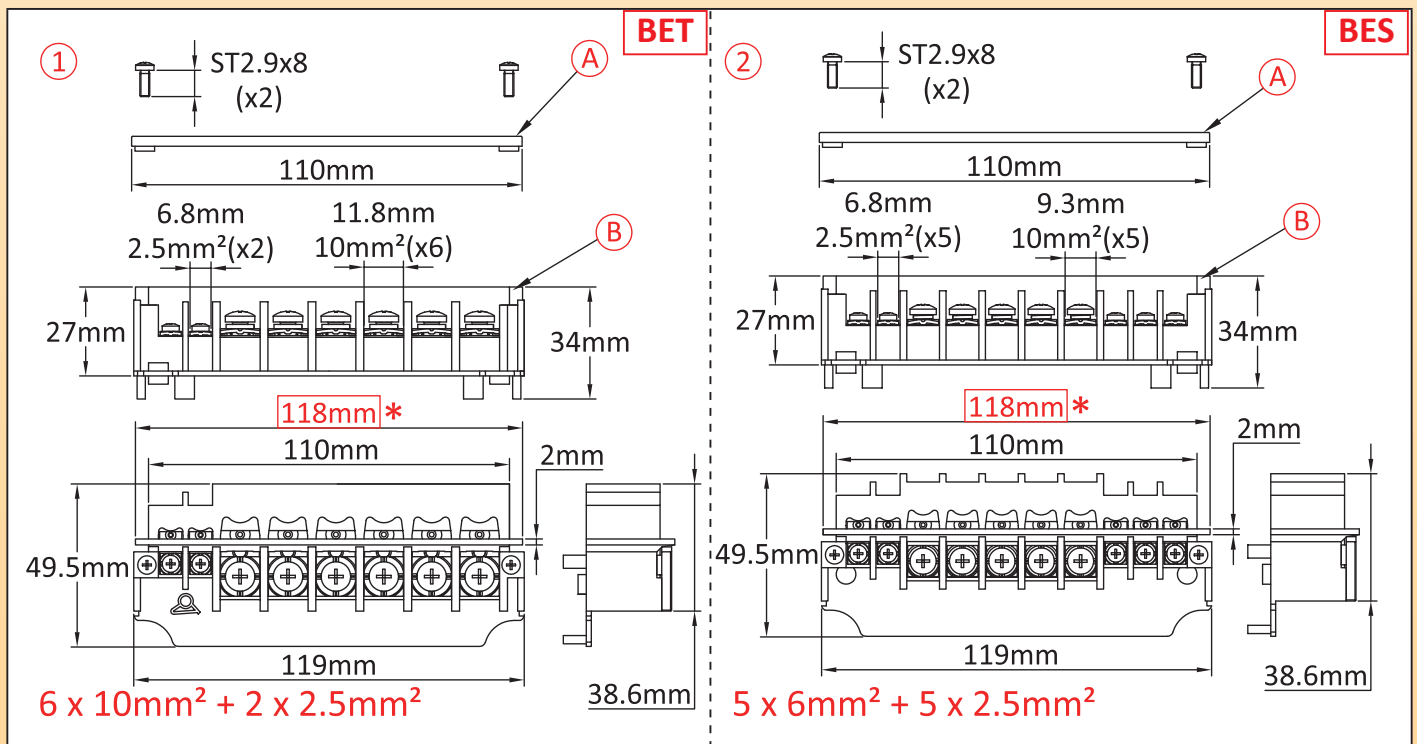


Snap-On PA66 terminal, for large enclosures, mixed size terminals

Minimum Size	Maximum Size	Material	Type	Model
119 × 49.5 × 34mm	119 × 49.5 × 34mm	PA66	Mixed terminal sizes snap-on connection blocks	BES BET




Compatible with:	①	②
<input checked="" type="checkbox"/> Y3G1 <input checked="" type="checkbox"/> Y3G2 <input checked="" type="checkbox"/> Y307 <input checked="" type="checkbox"/> Y309 <input checked="" type="checkbox"/> Y310 <input checked="" type="checkbox"/> Y3J1 <input checked="" type="checkbox"/> Y3J2 <input checked="" type="checkbox"/> Y3M1 <input checked="" type="checkbox"/> Y3N1		



Main references

① (A+B)	① (B)	② (A+B)	② (B)
BETLAQA000000P01	BETLAQA000000P00	BESMAPA000000P01	BESMAPA000000P00

Links

	Page (.pdf)
	Drawing 2D (.dwg)
	Drawing 3D (.stp)

Red dimensions inside rectangular frames on drawings are used for assembly on enclosures or on fittings.

