
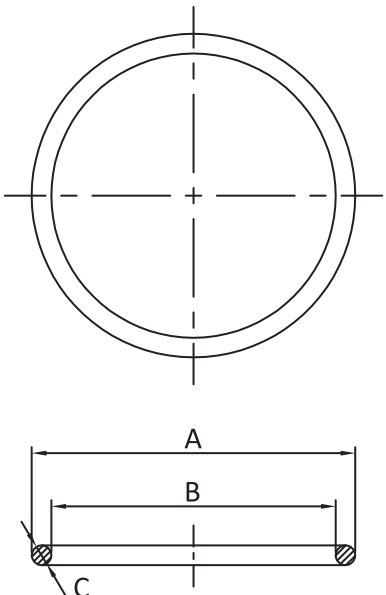


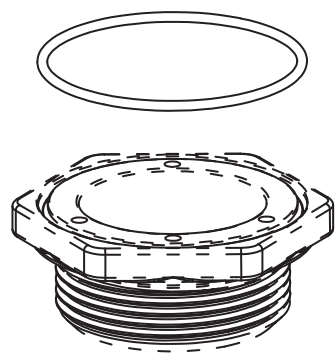
O-ring type gaskets for immersion heaters, thermostats, temperature sensors or level sensors fittings, in NBR or silicone

Minimum Size	Maximum Size	Material	Type	Model
1¼"	M77 × 2	Silicone NBR	O-ring for rotation ring	66JR (P1)




Compatible with:
<input checked="" type="checkbox"/> 66RE <input checked="" type="checkbox"/> 66RW <input checked="" type="checkbox"/> 66RY







	1-1/4"	1-1/2"	M45x2	2"	2-1/2"	M77x2
A	Ø55	Ø55	Ø55	Ø65	Ø82	Ø82
B	Ø51	Ø51	Ø51	Ø61	Ø78	Ø78
C	Ø2	Ø2	Ø2	Ø2	Ø2	Ø2

Main references			Links	
Dimensions	References in Silicone	References in NBR		
1-1/4" 1-1/2" M45x2	66JRS55020510000	66JRN55020510000		Page (.pdf)
2"	66JRS65020610000	66JRN65020610000		Drawing 2D (.dwg)
2-1/2" M77x2	66JRS82020780000	66JRN82020780000		Drawing 3D (.stp)

Red dimensions inside rectangular frames on drawings are used for assembly on enclosures or on fittings.

