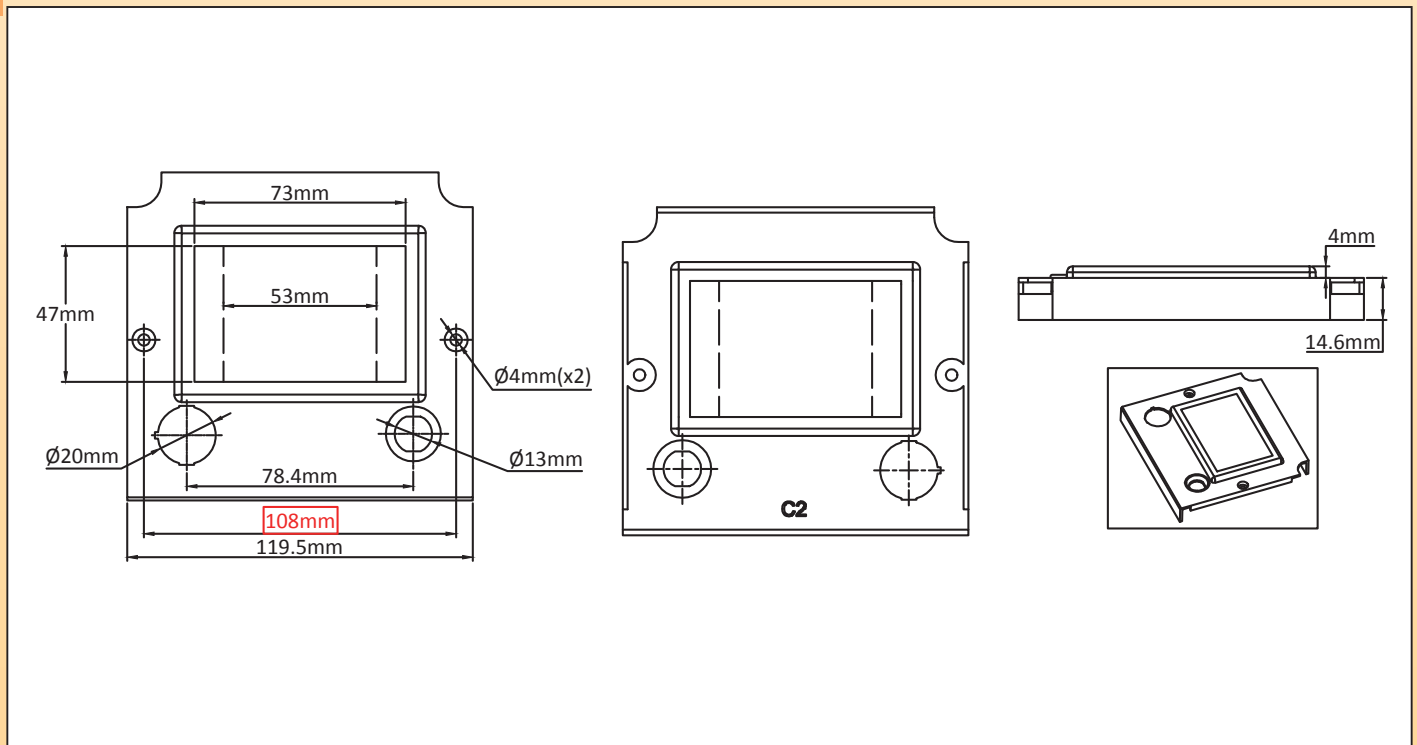


Internal mounting boards for enclosures with controls

Mounting style	Material	Type	Model
Assembly on enclosure with 2 mounting holes at 108 mm distance	PA66	5 mm elevated Internal board	6YFC

Compatible with:	
<input checked="" type="checkbox"/> Y3N1	<input checked="" type="checkbox"/> Y3G1
<input checked="" type="checkbox"/> Y3N2	<input checked="" type="checkbox"/> Y3G2
<input checked="" type="checkbox"/> Y3N3	<input checked="" type="checkbox"/> Y309
<input checked="" type="checkbox"/> Y3N4	<input checked="" type="checkbox"/> Y3J1
<input checked="" type="checkbox"/> Y3H2	<input checked="" type="checkbox"/> Y3J2
<input checked="" type="checkbox"/> Y3H3	<input checked="" type="checkbox"/> Y310



PA66, one rectangular hole 73x47mm. With two mobile caps for reduce and move hole to 53x47mm. Can be used for 2DNA and ground fault detection contactor. Hole for on-off switch and hole for fusible holder. No studs for relays or contactors. When used with 2DNA, fits flat cover enclosures.

Main reference

6YFCCPAG01

Links

 <p>Page (.pdf)</p>	 <p>Drawing 2D (.dwg)</p>	 <p>Drawing 3D (.stp)</p>
--	---	--

These mounting boards are provided with removable caps for non-used holes. Ask our engineering department for controls you would like to put on them.

Red dimensions inside rectangular frames are used for assembly on enclosures or on fittings.

Because of permanent improvement of our products, drawings, descriptions, features used on these data sheets are for guidance only and can be modified without prior advice

