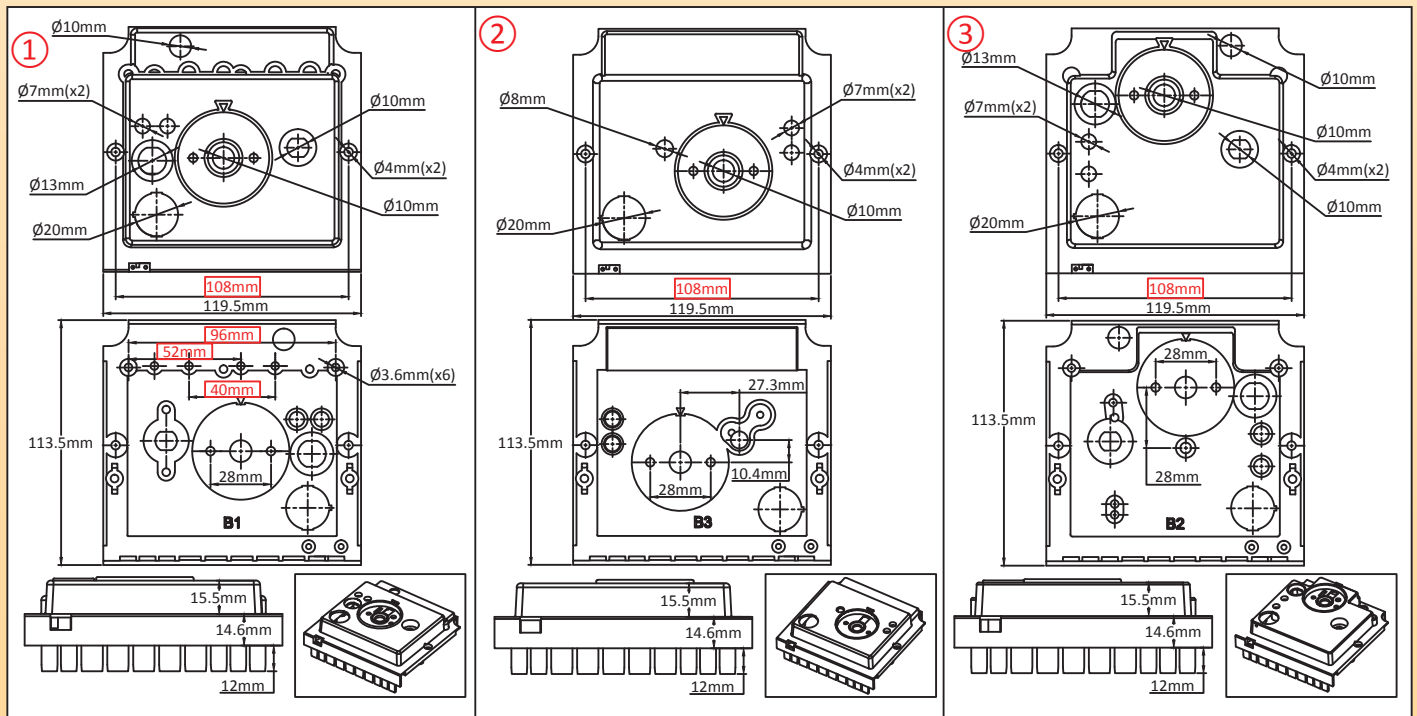


## Internal mounting boards for enclosures with controls

Mounting style	Material	Type	Model
<b>Assembly on enclosure with 2 mounting holes at 108 mm distance</b>	<b>PA66</b>	<b>15.5 mm elevated Internal board</b>	<b>6YFD</b>

Compatible with:	①	②	③
<input checked="" type="checkbox"/> Y3N2 <input checked="" type="checkbox"/> Y3G2 <input checked="" type="checkbox"/> Y3N3 <input checked="" type="checkbox"/> Y3O9 <input checked="" type="checkbox"/> Y3N4 <input checked="" type="checkbox"/> Y3J2 <input checked="" type="checkbox"/> Y3H2 <input checked="" type="checkbox"/> Y310 <input checked="" type="checkbox"/> Y3H3			



<p>PA66, hole for single pole or 3 pole bulb and capillary thermostat. Hole for fuse holder. Hole for on-Off switch. 2 holes for manual reset. 2 holes for pilot lights. Studs for relays boards 3 and 6 relays</p>	<p>PA66, hole for 3 pole bulb and capillary thermostat and control. Manual reset 3 pole combination thermostat. No hole for fuse holder. No hole for on-Off switch. 2 holes for manual reset (must be drilled). 2 holes for pilot lights. No studs for relays boards.</p>	<p>PA66, hole for single pole commercial bulb and capillary thermostat (type K). Hole for fuse holder. Hole for On-Off switch. 3 holes for manual reset. 2 holes for pilot lights. Studs for relays boards 3 and 6 relays, holes for contactor</p>
---	---	--

### Main references

①	6YFDCPAB06
②	6YFDCPAB08
③	6YFDCPAB07

### Links

	Page (.pdf)		Drawing 2D (.dwg)		Drawing 3D (.stp)
--	----------------	--	-------------------------	--	-------------------------

These mounting boards are provided with removable caps for non-used holes. Ask our engineering department for controls you would like to put on them.

Red dimensions inside rectangular frames are used for assembly on enclosures or on fittings.

Because of permanent improvement of our products, drawings, descriptions, features used on these data sheets are for guidance only and can be modified without prior advice

