

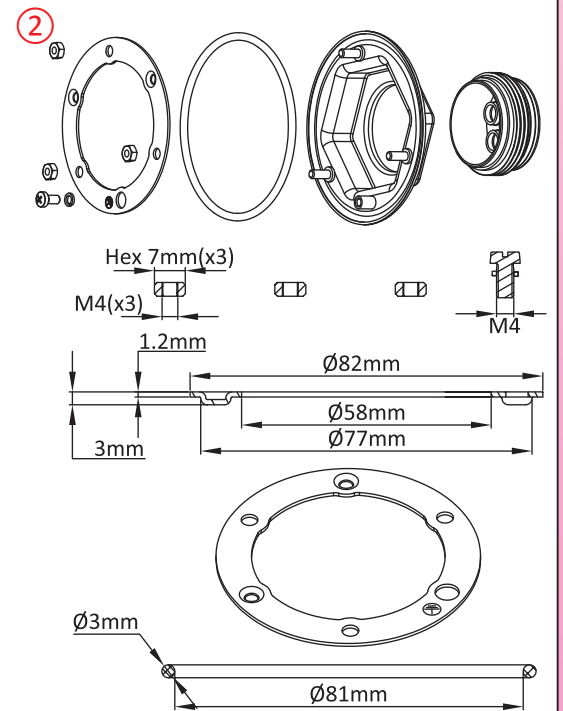
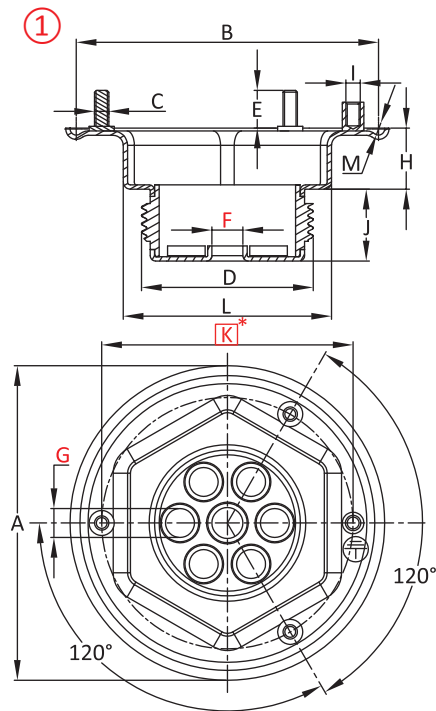
Stainless steel fitting with wide rotating flange, welded thread and heating elements flange

Minimum Size	Maximum Size	Material	Type	Model
1" ½	M45x2	Stainless steel	- Big deep drawn flange - Welded cup	66R2 (304L) 66R6 (316L)

Compatible accessories	
<input checked="" type="checkbox"/> 66JF	
<input checked="" type="checkbox"/> 66JP	
<input checked="" type="checkbox"/> 66JR	
<input checked="" type="checkbox"/> 66NL	
<input checked="" type="checkbox"/> 66XF	
Compatible enclosures	
<input checked="" type="checkbox"/> Y309	<input checked="" type="checkbox"/> Y3J2
<input checked="" type="checkbox"/> Y310	<input checked="" type="checkbox"/> Y3M1
<input checked="" type="checkbox"/> Y3G1	<input checked="" type="checkbox"/> Y3P5
<input checked="" type="checkbox"/> Y3G2	<input checked="" type="checkbox"/> Y3S7
<input checked="" type="checkbox"/> Y3G3	<input checked="" type="checkbox"/> Y3SA
<input checked="" type="checkbox"/> Y3J1	






	1-1/2"	M45x2
A	Ø90	Ø90
B	Ø84	Ø84
C	M4(x3)	M4(x3)
D	1-1/2"	M45x2
E	8	8
F	Ø8.6(x0,x1) Ø10(x0,x1)	Ø8.6(x0,x1) Ø10(x0,x1)
G	Ø6(x2,x4,x6) Ø8(x2,x4,x6)	Ø6(x2,x4,x6) Ø8(x2,x4,x6)
H	13.5	13.5
I	M4	M4
J	20	20
K	Ø70	Ø70
L	Hex 58	Hex 58
M	Ø3	Ø3



Main references

Dimensions	Composition	Reference in AISI 304L	Reference in AISI 316L
1½"	①	66R2A3T*****0000	66R6A3T*****0000
1½"	①+②	66R2A3T*****0005	66R6A3T*****0005
M45x2	①	66R2MDT*****0000	66R6MDT*****0000
M45x2	①+②	66R2MDT*****0005	66R6MDT*****0005

Links

	Page (.pdf)
	Drawing 2D (.dwg)
	Drawing 3D (.stp)

Specify dimensions and quantity of holes F and G.
Red dimensions inside rectangular frames are used for assembly on enclosures or on fittings.

Because of permanent improvement of our products, drawings, descriptions, features used on these data sheets are for guidance only and can be modified without prior advice

