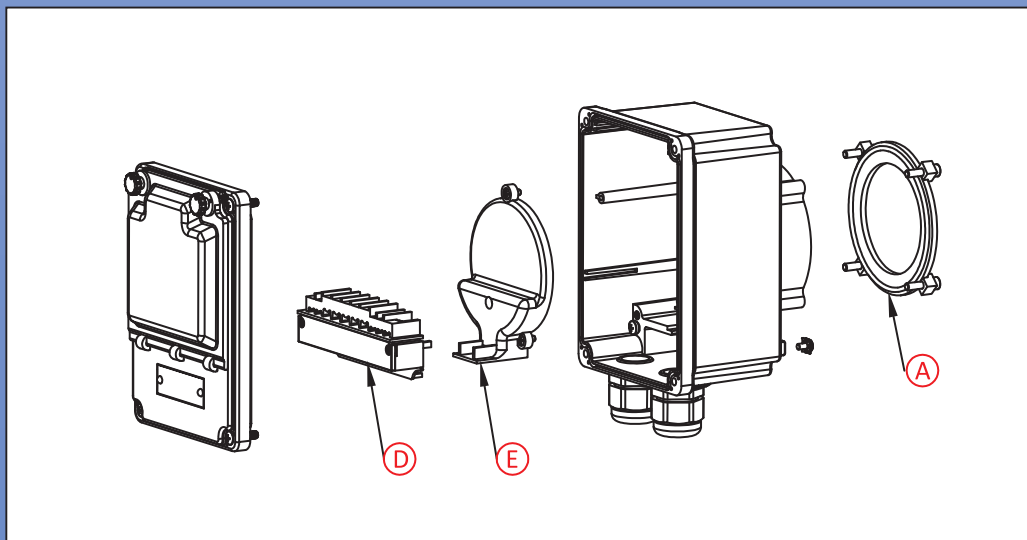
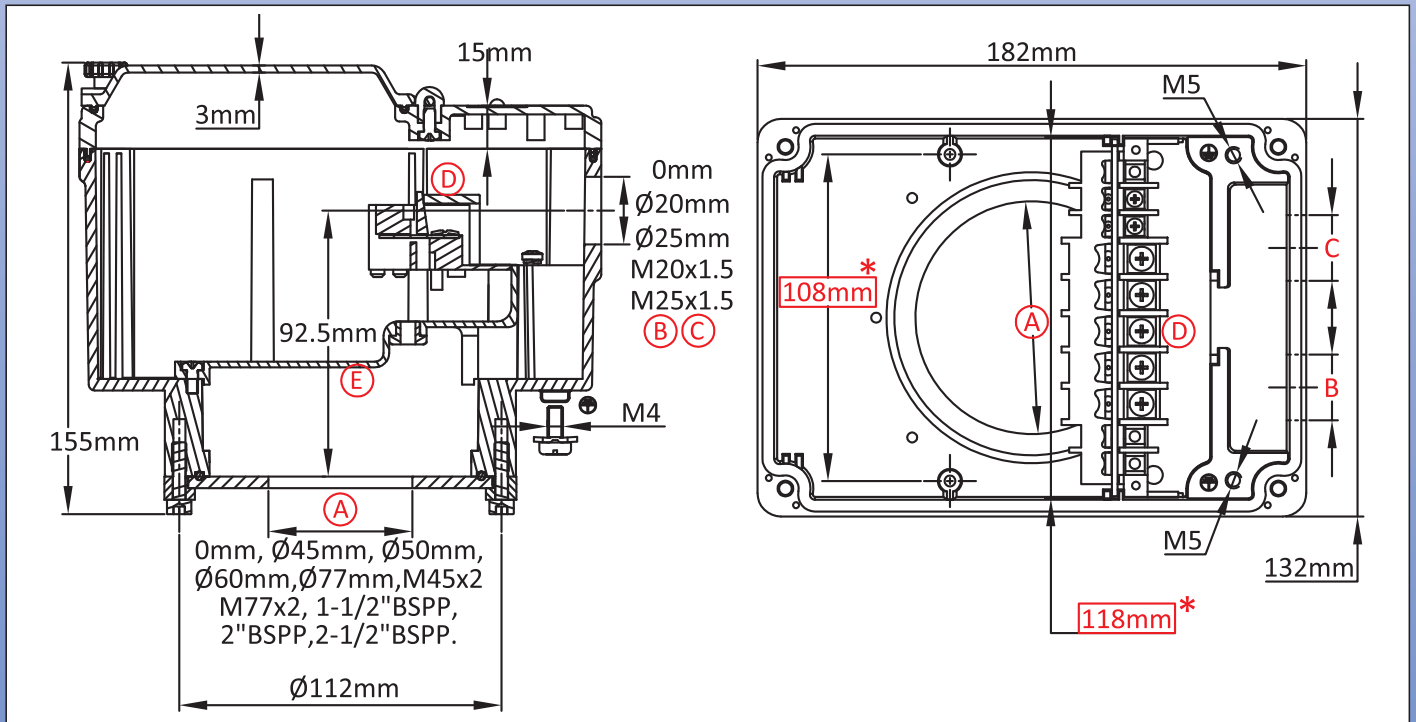
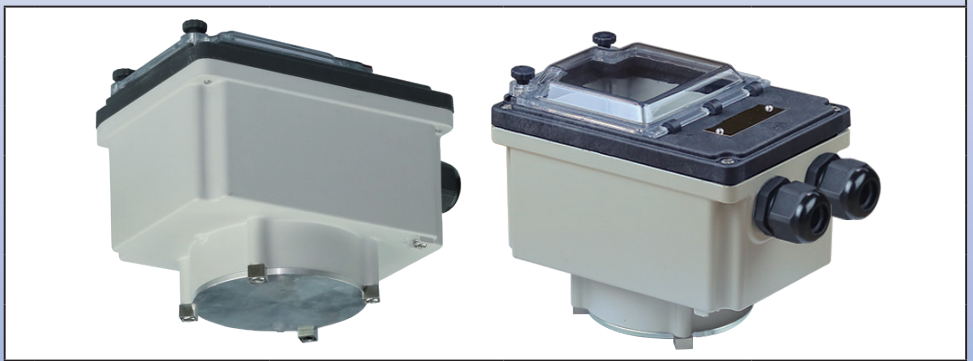


Aluminum and plastic composite enclosure, with transparent window cover, for immersion heater with 30 mm offset fitting

Size(mm)	Volume(cm ³)	Material	Protection grade		Model
182 x 132 x 144	2575	Aluminum + PA66 + Polycarbonate	IP69K	IK10	Y3G2 (P1)

Suitable for
<input type="checkbox"/> Temperature sensor
<input checked="" type="checkbox"/> Immersion heater
<input type="checkbox"/> Finned heater
<input checked="" type="checkbox"/> Thermostat
<input type="checkbox"/> Level sensor
<input checked="" type="checkbox"/> Electronic board



Links

	Page (.pdf)
	Drawing 2D (.dwg)
	Drawing 3D (.stp)

Because of permanent improvement of our products, drawings, descriptions, features used on these data sheets are for guidance only and can be modified without prior advice.

Cable gland not included in these reference, consult us if you want them.
 Red dimensions inside rectangular frames are used for accessories assembly.



Aluminum and plastic composite enclosure, with transparent window cover, for immersion heater with 30 mm offset fitting

Y3G2
(P2)

Main references

Ⓐ(mm)	Ⓑ(mm)	Ⓒ(mm)	Not painted	Painted	Ⓐ(mm)	Ⓑ(mm)	Ⓒ(mm)	Not painted	Painted
0	0	0	Y3G2000000J1007	Y3G2000000J100G	M45x2	0	0	Y3G2M450000J1007	Y3G2M450000J100G
0	20	0	Y3G20000120J1007	Y3G20000120J100G	M45x2	20	0	Y3G2M450120J1007	Y3G2M450120J100G
0	20	20	Y3G20000220J1007	Y3G20000220J100G	M45x2	20	20	Y3G2M450220J1007	Y3G2M450220J100G
0	25	0	Y3G20000125J1007	Y3G20000125J100G	M45x2	25	0	Y3G2M450125J1007	Y3G2M450125J100G
0	25	25	Y3G20000225J1007	Y3G20000225J100G	M45x2	25	25	Y3G2M450225J1007	Y3G2M450225J100G
0	M20x1.5	0	Y3G200001T0J1007	Y3G200001T0J100G	M45x2	M20x1.5	0	Y3G2M4501T0J1007	Y3G2M4501T0J100G
0	M20x1.5	M20x1.5	Y3G200002T0J1007	Y3G200002T0J100G	M45x2	M20x1.5	M20x1.5	Y3G2M4502T0J1007	Y3G2M4502T0J100G
0	M25x1.5	0	Y3G200001T5J1007	Y3G200001T5J100G	M45x2	M25x1.5	0	Y3G2M4501T5J1007	Y3G2M4501T5J100G
0	M25x1.5	M25x1.5	Y3G200002T5J1007	Y3G200002T5J100G	M45x2	M25x1.5	M25x1.5	Y3G2M4502T5J1007	Y3G2M4502T5J100G
45	0	0	Y3G2450000J1007	Y3G2450000J100G	M77x2	0	0	Y3G2M770000J1007	Y3G2M770000J100G
45	20	0	Y3G24500120J1007	Y3G24500120J100G	M77x2	20	0	Y3G2M770120J1007	Y3G2M770120J100G
45	20	20	Y3G24500220J1007	Y3G24500220J100G	M77x2	20	20	Y3G2M770220J1007	Y3G2M770220J100G
45	25	0	Y3G24500125J1007	Y3G24500125J100G	M77x2	25	0	Y3G2M770125J1007	Y3G2M770125J100G
45	25	25	Y3G24500225J1007	Y3G24500225J100G	M77x2	25	25	Y3G2M770225J1007	Y3G2M770225J100G
45	M20x1.5	0	Y3G245001T0J1007	Y3G245001T0J100G	M77x2	M20x1.5	0	Y3G2M7701T0J1007	Y3G2M7701T0J100G
45	M20x1.5	M20x1.5	Y3G245002T0J1007	Y3G245002T0J100G	M77x2	M20x1.5	M20x1.5	Y3G2M7702T0J1007	Y3G2M7702T0J100G
45	M25x1.5	0	Y3G245001T5J1007	Y3G245001T5J100G	M77x2	M25x1.5	0	Y3G2M7701T5J1007	Y3G2M7701T5J100G
45	M25x1.5	M25x1.5	Y3G245002T5J1007	Y3G245002T5J100G	M77x2	M25x1.5	M25x1.5	Y3G2M7702T5J1007	Y3G2M7702T5J100G
50	0	0	Y3G2500000J1007	Y3G2500000J100G	1½"BSPP	0	0	Y3G2BA20000J1007	Y3G2BA20000J100G
50	20	0	Y3G25000120J1007	Y3G25000120J100G	1½"BSPP	20	0	Y3G2BA20120J1007	Y3G2BA20120J100G
50	20	20	Y3G25000220J1007	Y3G25000220J100G	1½"BSPP	20	20	Y3G2BA20220J1007	Y3G2BA20220J100G
50	25	0	Y3G25000125J1007	Y3G25000125J100G	1½"BSPP	25	0	Y3G2BA20125J1007	Y3G2BA20125J100G
50	25	25	Y3G25000225J1007	Y3G25000225J100G	1½"BSPP	25	25	Y3G2BA20225J1007	Y3G2BA20225J100G
50	M20x1.5	0	Y3G250001T0J1007	Y3G250001T0J100G	1½"BSPP	M20x1.5	0	Y3G2BA201T0J1007	Y3G2BA201T0J100G
50	M20x1.5	M20x1.5	Y3G250002T0J1007	Y3G250002T0J100G	1½"BSPP	M20x1.5	M20x1.5	Y3G2BA202T0J1007	Y3G2BA202T0J100G
50	M25x1.5	0	Y3G250001T5J1007	Y3G250001T5J100G	1½"BSPP	M25x1.5	0	Y3G2BA201T5J1007	Y3G2BA201T5J100G
50	M25x1.5	M25x1.5	Y3G250002T5J1007	Y3G250002T5J100G	1½"BSPP	M25x1.5	M25x1.5	Y3G2BA202T5J1007	Y3G2BA202T5J100G
60	0	0	Y3G2600000J1007	Y3G2600000J100G	2"BSPP	0	0	Y3G2BB20000J1007	Y3G2BB20000J100G
60	20	0	Y3G26000120J1007	Y3G26000120J100G	2"BSPP	20	0	Y3G2BB20120J1007	Y3G2BB20120J100G
60	20	20	Y3G26000220J1007	Y3G26000220J100G	2"BSPP	20	20	Y3G2BB20220J1007	Y3G2BB20220J100G
60	25	0	Y3G26000125J1007	Y3G26000125J100G	2"BSPP	25	0	Y3G2BB20125J1007	Y3G2BB20125J100G
60	25	25	Y3G26000225J1007	Y3G26000225J100G	2"BSPP	25	25	Y3G2BB20225J1007	Y3G2BB20225J100G
60	M20x1.5	0	Y3G260001T0J1007	Y3G260001T0J100G	2"BSPP	M20x1.5	0	Y3G2BB201T0J1007	Y3G2BB201T0J100G
60	M20x1.5	M20x1.5	Y3G260002T0J1007	Y3G260002T0J100G	2"BSPP	M20x1.5	M20x1.5	Y3G2BB202T0J1007	Y3G2BB202T0J100G
60	M25x1.5	0	Y3G260001T5J1007	Y3G260001T5J100G	2"BSPP	M25x1.5	0	Y3G2BB201T5J1007	Y3G2BB201T5J100G
60	M25x1.5	M25x1.5	Y3G260002T5J1007	Y3G260002T5J100G	2"BSPP	M25x1.5	M25x1.5	Y3G2BB202T5J1007	Y3G2BB202T5J100G
77	0	0	Y3G2770000J1007	Y3G2770000J100G	2½"BSPP	0	0	Y3G2BC20000J1007	Y3G2BC20000J100G
77	20	0	Y3G27700120J1007	Y3G27700120J100G	2½"BSPP	20	0	Y3G2BC20120J1007	Y3G2BC20120J100G
77	20	20	Y3G27700220J1007	Y3G27700220J100G	2½"BSPP	20	20	Y3G2BC20220J1007	Y3G2BC20220J100G
77	25	0	Y3G27700125J1007	Y3G27700125J100G	2½"BSPP	25	0	Y3G2BC20125J1007	Y3G2BC20125J100G
77	25	25	Y3G27700225J1007	Y3G27700225J100G	2½"BSPP	25	25	Y3G2BC20225J1007	Y3G2BC20225J100G
77	M20x1.5	0	Y3G277001T0J1007	Y3G277001T0J100G	2½"BSPP	M20x1.5	0	Y3G2BC201T0J1007	Y3G2BC201T0J100G
77	M20x1.5	M20x1.5	Y3G277002T0J1007	Y3G277002T0J100G	2½"BSPP	M20x1.5	M20x1.5	Y3G2BC202T0J1007	Y3G2BC202T0J100G
77	M25x1.5	0	Y3G277001T5J1007	Y3G277001T5J100G	2½"BSPP	M25x1.5	0	Y3G2BC201T5J1007	Y3G2BC201T5J100G
77	M25x1.5	M25x1.5	Y3G277002T5J1007	Y3G277002T5J100G	2½"BSPP	M25x1.5	M25x1.5	Y3G2BC202T5J1007	Y3G2BC202T5J100G

Because of permanent improvement of our products, drawings, descriptions, features used on these data sheets are for guidance only and can be modified without prior advice

