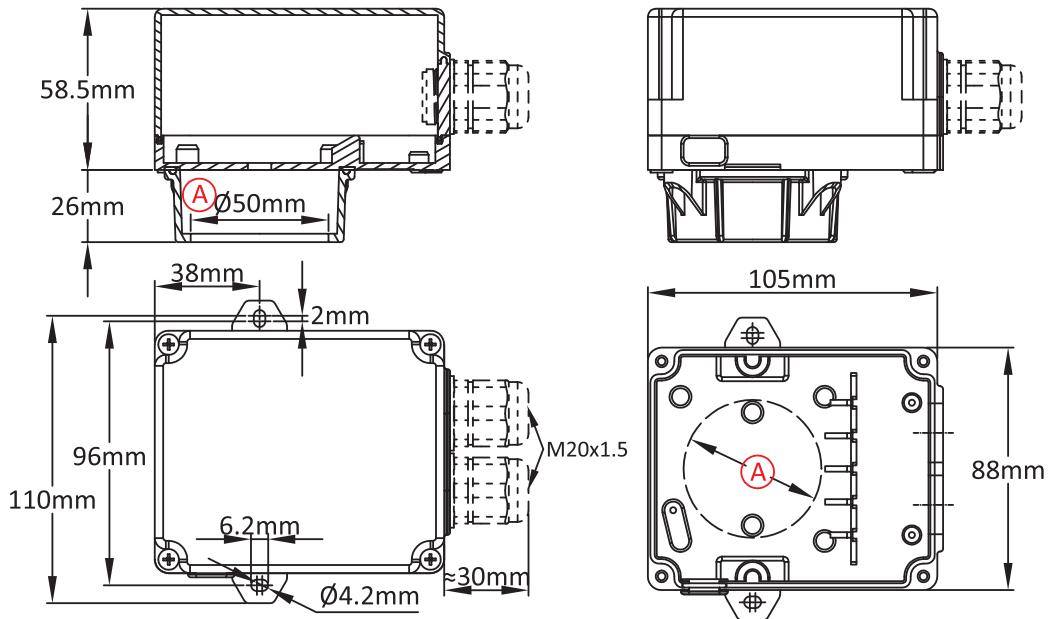
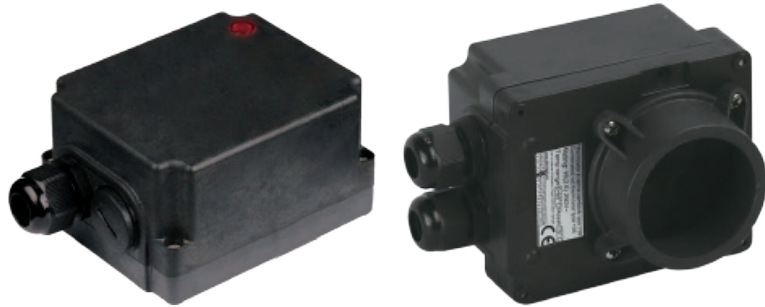


Immersion heater housing for commercial water heater tanks

Size(mm)	Volume(cm ³)	Material	Protection grade		Model
105 X 88 x 84.5	633	PA66	IP69K	IK10	Y3B2

Suitable for




- Temperature sensor
- Immersion heater
- Finned heater
- Thermostat
- Level sensor
- Electronic board



Main references

A (mm)	References
50	Y3B2500022C0000T

Links

	Page (.pdf)
	Drawing 2D (.dwg)
	Drawing 3D (.stp)

Because of permanent improvement of our products, drawings, descriptions, features used on these data sheets are for guidance only and can be modified without prior advice

Cable gland not included in these reference, consult us if you want them.
Red dimensions inside rectangular frames on drawings are used for accessories assembly.

