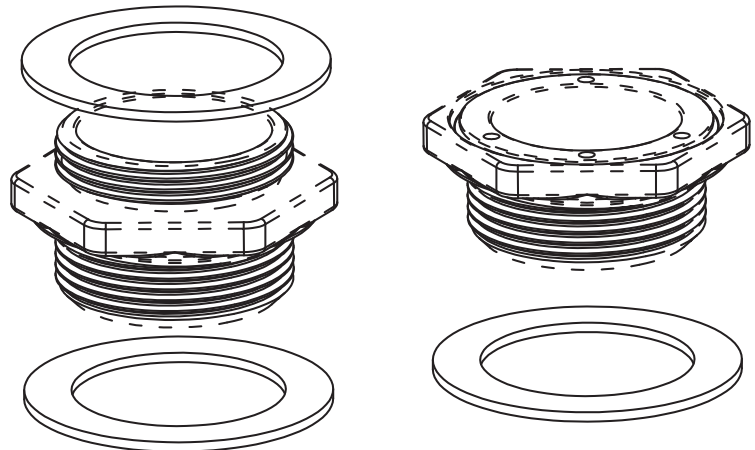
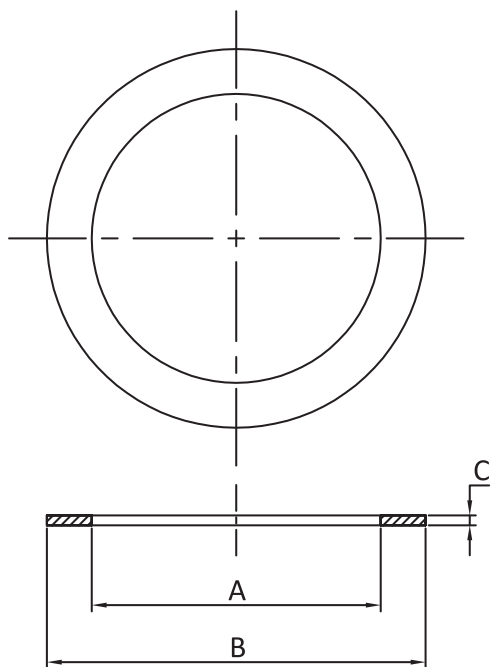
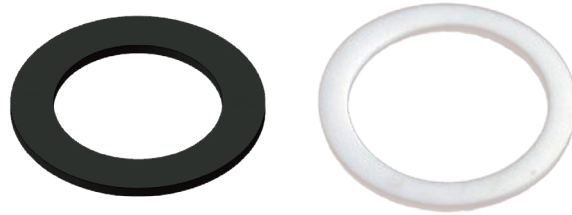


## Fitting gaskets for immersion heaters, thermostats, temperature sensors or level sensors in silicone, NBR, PTFE

Minimum Size	Maximum Size	Material	Type	Model
1"	M77 × 2	Silicone NBR PTFE	Elastomeric flat gaskets	<b>66JP</b>

### Compatible with:

<input checked="" type="checkbox"/> 66RJ	<input checked="" type="checkbox"/> 66R3
<input checked="" type="checkbox"/> 66RU	<input checked="" type="checkbox"/> 66R4
<input checked="" type="checkbox"/> 66RK	<input checked="" type="checkbox"/> 66R5
<input checked="" type="checkbox"/> 66RV	<input checked="" type="checkbox"/> 66R6
<input checked="" type="checkbox"/> 66RO	<input checked="" type="checkbox"/> 66R7
<input checked="" type="checkbox"/> 66RP	<input checked="" type="checkbox"/> 66R8
<input checked="" type="checkbox"/> 66RQ	<input checked="" type="checkbox"/> 66R9
<input checked="" type="checkbox"/> 66RR	<input checked="" type="checkbox"/> 66RW
<input checked="" type="checkbox"/> 66R2	<input checked="" type="checkbox"/> 66RY



	1"	1-1/4"	1-1/2"	M45x2	2"	2-1/2"	M77x2
A	Ø32	Ø40	Ø44	Ø44	Ø58	Ø74	Ø74
B	Ø50	Ø62	Ø62	Ø62	Ø76	Ø95	Ø95
C	2	2	2	2	2	2	2

### Main references

Dimensions	References in Silicone	References in NBR	References in PTFE
1"	66JPS32020500000	66JPN32020500000	66JPP32020500000
1-1/4"	66JPS40020620000	66JPN40020620000	66JPP40020620000
1-1/2" M45x2	66JPS44020620000	66JPN44020620000	66JPP44020620000
2"	66JPS58020760000	66JPN58020760000	66JPP58020760000
2-1/2" M77x2	66JPS74020950000	66JPN74020950000	66JPP74020950000

### Links



Page  
(.pdf)



Drawing 2D  
(.dwg)



Drawing 3D  
(.stp)

Because of permanent improvement of our products, drawings, descriptions, features used on these data sheets are for guidance only and can be modified without prior advice

Red dimensions inside rectangular frames on drawings are used for assembly on enclosures or on fittings.



E-Mail: [info@ultimheat.com](mailto:info@ultimheat.com) Web: [www.ultimheat.com](http://www.ultimheat.com)