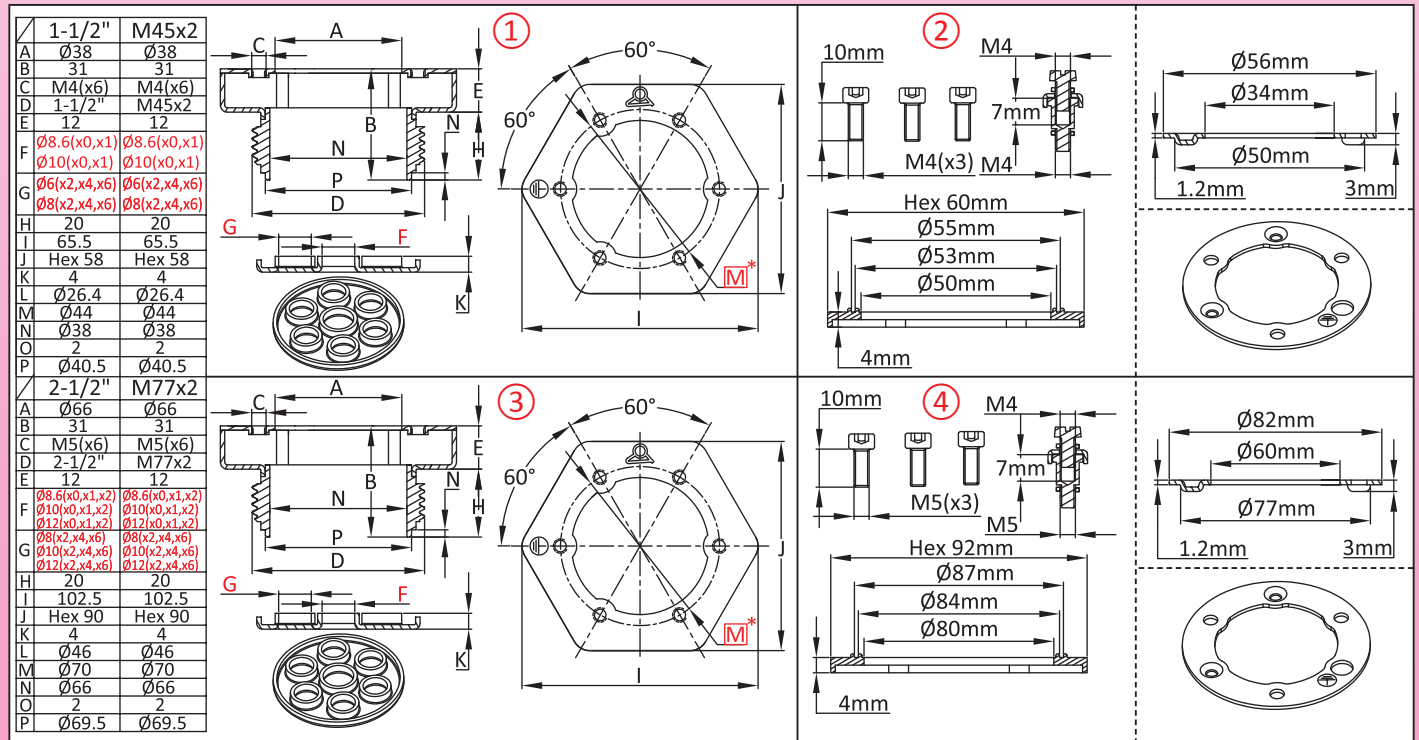


Stainless steel fitting with 3 screws stamped rotation ring, with deep drawn body and machined thread, for medium corrosive environments. Non-welded heating elements flange

Minimum Size	Maximum Size	Material	Type	Model
1" ½	2" ½	Stainless steel	Rotation ring+ un-welded cup	66RK (304L) 66RV (316L)

Compatible accessories			
<input checked="" type="checkbox"/> 66JE	<input checked="" type="checkbox"/> 66XF	<input checked="" type="checkbox"/> 66Z1	<input checked="" type="checkbox"/> 66Z2
<input checked="" type="checkbox"/> 66JF	<input checked="" type="checkbox"/> 66Z1		
<input checked="" type="checkbox"/> 66JP	<input checked="" type="checkbox"/> 66Z2		
<input checked="" type="checkbox"/> 66NL			

Compatible enclosures			
<input checked="" type="checkbox"/> Y302	<input checked="" type="checkbox"/> Y3C1	<input checked="" type="checkbox"/> Y3J2	<input checked="" type="checkbox"/> Y3P1
<input checked="" type="checkbox"/> Y303	<input checked="" type="checkbox"/> Y3C3	<input checked="" type="checkbox"/> Y3K1	<input checked="" type="checkbox"/> Y3P3
<input checked="" type="checkbox"/> Y304	<input checked="" type="checkbox"/> Y3C4	<input checked="" type="checkbox"/> Y3K2	<input checked="" type="checkbox"/> Y3P4
<input checked="" type="checkbox"/> Y305	<input checked="" type="checkbox"/> Y3G1	<input checked="" type="checkbox"/> Y3L3	<input checked="" type="checkbox"/> Y3P5
<input checked="" type="checkbox"/> Y306	<input checked="" type="checkbox"/> Y3G2	<input checked="" type="checkbox"/> Y3M1	<input checked="" type="checkbox"/> Y3P6
<input checked="" type="checkbox"/> Y307	<input checked="" type="checkbox"/> Y3H1	<input checked="" type="checkbox"/> Y3N1	<input checked="" type="checkbox"/> Y3S3
<input checked="" type="checkbox"/> Y309	<input checked="" type="checkbox"/> Y3H2	<input checked="" type="checkbox"/> Y3N2	<input checked="" type="checkbox"/> Y3S5
<input checked="" type="checkbox"/> Y310	<input checked="" type="checkbox"/> Y3H3	<input checked="" type="checkbox"/> Y3N3	<input checked="" type="checkbox"/> Y3S7
<input checked="" type="checkbox"/> Y3B2	<input checked="" type="checkbox"/> Y3J1	<input checked="" type="checkbox"/> Y3N4	<input checked="" type="checkbox"/> Y3SA



Main references

Dimensions	Composition	Reference in AISI 304L	Reference in AISI 316L
1½"	①	66RKA3T*****0000	66RVA3T*****0000
1½"	①+②	66RKA3T*****0005	66RVA3T*****0005
M45x2	①	66RKMDT*****0000	66RVMDT*****0000
M45x2	①+②	66RKMDT*****0005	66RVMDT*****0005
2½"	③	66RKA7T*****0000	66RVA7T*****0000
2½"	③+④	66RKA7T*****0005	66RVA7T*****0005
M77x2	③	66RKMGT*****0000	66RVMGT*****0000
M77x2	③+④	66RKMGT*****0005	66RVMGT*****0005

Links

Page
(.pdf)

Drawing 2D
(.dwg)

Drawing 3D
(.stp)

Specify dimensions and quantity of holes F and G.
Red dimensions inside rectangular frames are used for assembly on enclosures or on fittings.

