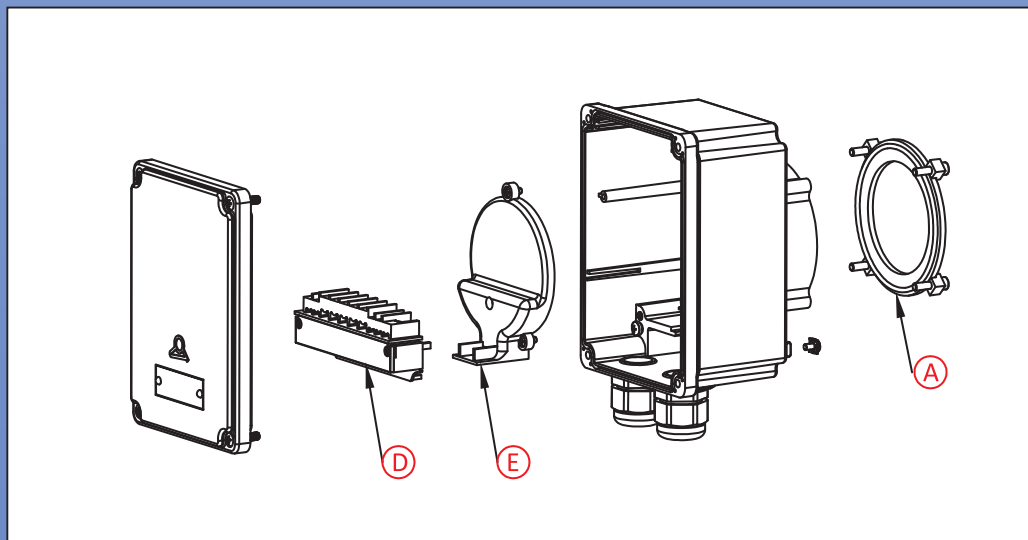
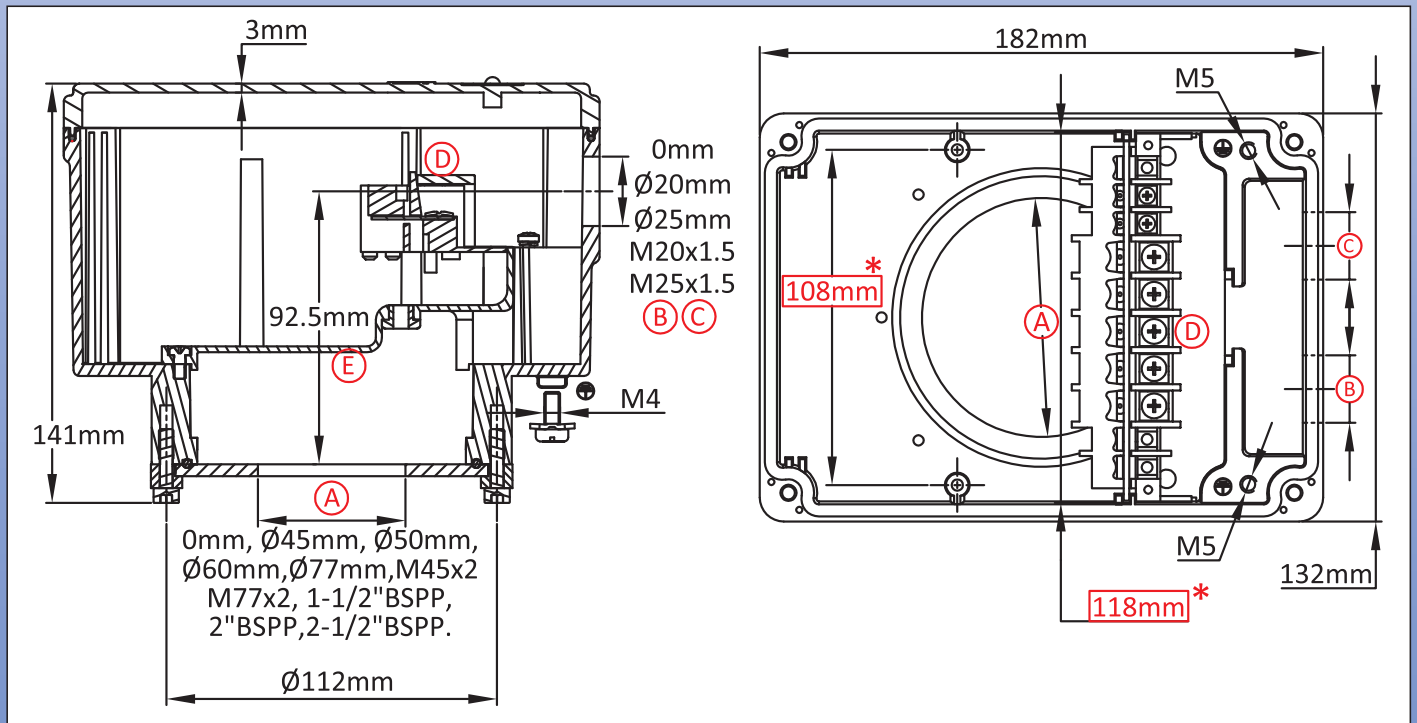


# Aluminum and plastic composite enclosure, with polycarbonate cover, for immersion heater with 30 mm offset fitting

Size(mm)	Volume(cm <sup>3</sup> )	Material	Protection grade		Model
<b>182 x 132 x 130</b>	<b>2435</b>	<b>Aluminum + Polycarbonate</b>	<b>IP69K</b>	<b>IK10</b>	<b>Y3G1</b> <span style="color: red;">(P1)</span>

- Suitable for**
- Temperature sensor
  - Immersion heater
  - Finned heater
  - Thermostat
  - Level sensor
  - Electronic board



**Links**

- Page (.pdf)
- Drawing 2D (.dwg)
- Drawing 3D (.stp)

Because of permanent improvement of our products, drawings, descriptions, features used on these data sheets are for guidance only and can be modified without prior advice.

Cable gland not included in these reference, consult us if you want them.  
Red dimensions inside rectangular frames are used for accessories assembly.



# Aluminum and plastic composite enclosure, with polycarbonate cover, for immersion heater with 30 mm offset fitting

**Y3G1**  
(P2)

## Main references

Ⓐ(mm)	Ⓑ(mm)	Ⓒ(mm)	Not painted	Painted	Ⓐ(mm)	Ⓑ(mm)	Ⓒ(mm)	Not painted	Painted
0	0	0	Y3G1000000J1007	Y3G1000000J100G	M45×2	0	0	Y3G1M450000J1007	Y3G1M450000J100G
0	20	0	Y3G10000120J1007	Y3G10000120J100G	M45×2	20	0	Y3G1M450120J1007	Y3G1M450120J100G
0	20	20	Y3G10000220J1007	Y3G10000220J100G	M45×2	20	20	Y3G1M450220J1007	Y3G1M450220J100G
0	25	0	Y3G10000125J1007	Y3G10000125J100G	M45×2	25	0	Y3G1M450125J1007	Y3G1M450125J100G
0	25	25	Y3G10000225J1007	Y3G10000225J100G	M45×2	25	25	Y3G1M450225J1007	Y3G1M450225J100G
0	M20×1.5	0	Y3G100001T0J1007	Y3G100001T0J100G	M45×2	M20×1.5	0	Y3G1M4501T0J1007	Y3G1M4501T0J100G
0	M20×1.5	M20×1.5	Y3G100002T0J1007	Y3G100002T0J100G	M45×2	M20×1.5	M20×1.5	Y3G1M4502T0J1007	Y3G1M4502T0J100G
0	M25×1.5	0	Y3G100001T5J1007	Y3G100001T5J100G	M45×2	M25×1.5	0	Y3G1M4501T5J1007	Y3G1M4501T5J100G
0	M25×1.5	M25×1.5	Y3G100002T5J1007	Y3G100002T5J100G	M45×2	M25×1.5	M25×1.5	Y3G1M4502T5J1007	Y3G1M4502T5J100G
45	0	0	Y3G1450000J1007	Y3G1450000J100G	M77×2	0	0	Y3G1M770000J1007	Y3G1M770000J100G
45	20	0	Y3G14500120J1007	Y3G14500120J100G	M77×2	20	0	Y3G1M770120J1007	Y3G1M770120J100G
45	20	20	Y3G14500220J1007	Y3G14500220J100G	M77×2	20	20	Y3G1M770220J1007	Y3G1M770220J100G
45	25	0	Y3G14500125J1007	Y3G14500125J100G	M77×2	25	0	Y3G1M770125J1007	Y3G1M770125J100G
45	25	25	Y3G14500225J1007	Y3G14500225J100G	M77×2	25	25	Y3G1M770225J1007	Y3G1M770225J100G
45	M20×1.5	0	Y3G145001T0J1007	Y3G145001T0J100G	M77×2	M20×1.5	0	Y3G1M7701T0J1007	Y3G1M7701T0J100G
45	M20×1.5	M20×1.5	Y3G145002T0J1007	Y3G145002T0J100G	M77×2	M20×1.5	M20×1.5	Y3G1M7702T0J1007	Y3G1M7702T0J100G
45	M25×1.5	0	Y3G145001T5J1007	Y3G145001T5J100G	M77×2	M25×1.5	0	Y3G1M7701T5J1007	Y3G1M7701T5J100G
45	M25×1.5	M25×1.5	Y3G145002T5J1007	Y3G145002T5J100G	M77×2	M25×1.5	M25×1.5	Y3G1M7702T5J1007	Y3G1M7702T5J100G
50	0	0	Y3G1500000J1007	Y3G1500000J100G	1½"BSPP	0	0	Y3G1BA20000J1007	Y3G1BA20000J100G
50	20	0	Y3G15000120J1007	Y3G15000120J100G	1½"BSPP	20	0	Y3G1BA20120J1007	Y3G1BA20120J100G
50	20	20	Y3G15000220J1007	Y3G15000220J100G	1½"BSPP	20	20	Y3G1BA20220J1007	Y3G1BA20220J100G
50	25	0	Y3G15000125J1007	Y3G15000125J100G	1½"BSPP	25	0	Y3G1BA20125J1007	Y3G1BA20125J100G
50	25	25	Y3G15000225J1007	Y3G15000225J100G	1½"BSPP	25	25	Y3G1BA20225J1007	Y3G1BA20225J100G
50	M20×1.5	0	Y3G150001T0J1007	Y3G150001T0J100G	1½"BSPP	M20×1.5	0	Y3G1BA201T0J1007	Y3G1BA201T0J100G
50	M20×1.5	M20×1.5	Y3G150002T0J1007	Y3G150002T0J100G	1½"BSPP	M20×1.5	M20×1.5	Y3G1BA202T0J1007	Y3G1BA202T0J100G
50	M25×1.5	0	Y3G150001T5J1007	Y3G150001T5J100G	1½"BSPP	M25×1.5	0	Y3G1BA201T5J1007	Y3G1BA201T5J100G
50	M25×1.5	M25×1.5	Y3G150002T5J1007	Y3G150002T5J100G	1½"BSPP	M25×1.5	M25×1.5	Y3G1BA202T5J1007	Y3G1BA202T5J100G
60	0	0	Y3G1600000J1007	Y3G1600000J100G	2"BSPP	0	0	Y3G1BB20000J1007	Y3G1BB20000J100G
60	20	0	Y3G16000120J1007	Y3G16000120J100G	2"BSPP	20	0	Y3G1BB20120J1007	Y3G1BB20120J100G
60	20	20	Y3G16000220J1007	Y3G16000220J100G	2"BSPP	20	20	Y3G1BB20220J1007	Y3G1BB20220J100G
60	25	0	Y3G16000125J1007	Y3G16000125J100G	2"BSPP	25	0	Y3G1BB20125J1007	Y3G1BB20125J100G
60	25	25	Y3G16000225J1007	Y3G16000225J100G	2"BSPP	25	25	Y3G1BB20225J1007	Y3G1BB20225J100G
60	M20×1.5	0	Y3G160001T0J1007	Y3G160001T0J100G	2"BSPP	M20×1.5	0	Y3G1BB201T0J1007	Y3G1BB201T0J100G
60	M20×1.5	M20×1.5	Y3G160002T0J1007	Y3G160002T0J100G	2"BSPP	M20×1.5	M20×1.5	Y3G1BB202T0J1007	Y3G1BB202T0J100G
60	M25×1.5	0	Y3G160001T5J1007	Y3G160001T5J100G	2"BSPP	M25×1.5	0	Y3G1BB201T5J1007	Y3G1BB201T5J100G
60	M25×1.5	M25×1.5	Y3G160002T5J1007	Y3G160002T5J100G	2"BSPP	M25×1.5	M25×1.5	Y3G1BB202T5J1007	Y3G1BB202T5J100G
77	0	0	Y3G1770000J1007	Y3G1770000J100G	2½"BSPP	0	0	Y3G1BC20000J1007	Y3G1BC20000J100G
77	20	0	Y3G17700120J1007	Y3G17700120J100G	2½"BSPP	20	0	Y3G1BC20120J1007	Y3G1BC20120J100G
77	20	20	Y3G17700220J1007	Y3G17700220J100G	2½"BSPP	20	20	Y3G1BC20220J1007	Y3G1BC20220J100G
77	25	0	Y3G17700125J1007	Y3G17700125J100G	2½"BSPP	25	0	Y3G1BC20125J1007	Y3G1BC20125J100G
77	25	25	Y3G17700225J1007	Y3G17700225J100G	2½"BSPP	25	25	Y3G1BC20225J1007	Y3G1BC20225J100G
77	M20×1.5	0	Y3G177001T0J1007	Y3G177001T0J100G	2½"BSPP	M20×1.5	0	Y3G1BC201T0J1007	Y3G1BC201T0J100G
77	M20×1.5	M20×1.5	Y3G177002T0J1007	Y3G177002T0J100G	2½"BSPP	M20×1.5	M20×1.5	Y3G1BC202T0J1007	Y3G1BC202T0J100G
77	M25×1.5	0	Y3G177001T5J1007	Y3G177001T5J100G	2½"BSPP	M25×1.5	0	Y3G1BC201T5J1007	Y3G1BC201T5J100G
77	M25×1.5	M25×1.5	Y3G177002T5J1007	Y3G177002T5J100G	2½"BSPP	M25×1.5	M25×1.5	Y3G1BC202T5J1007	Y3G1BC202T5J100G

Because of permanent improvement of our products, drawings, descriptions, features used on these data sheets are for guidance only and can be modified without prior advice

