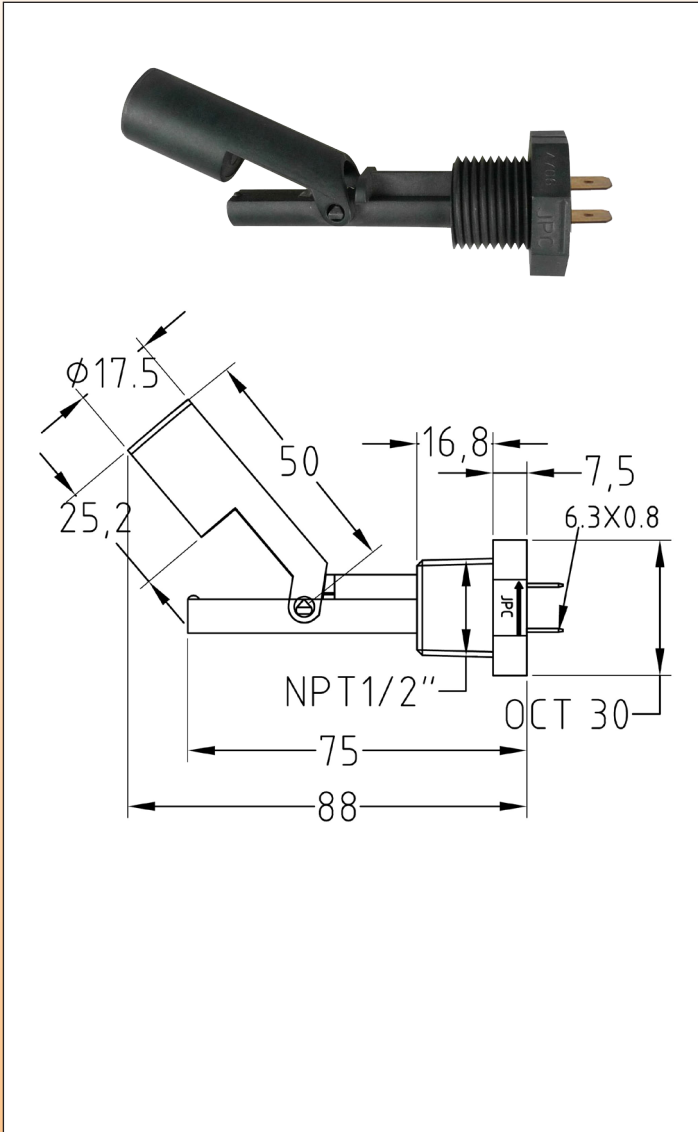


# Horizontal mounting, reed switch contact, PBT stem, hollow PBT float, 6.35 x 0.8 QC terminals, 1/2" NPT thread

## Type DT

### DIMENSIONS

### MAIN FEATURES



**Use:** low voltage circuits

**Main applications:** steam generators, coffee machines, vending machines, air conditioning pumps, dehumidifiers, tanks. The side mounting allows to adjust the level on big size tanks.

**Stem material:** PBT

**Float material:** hollow PBT

**Mounting:** horizontal on 1/2" NPT female fitting

**Contact configuration:** It opens when the float touch the stem. Two positions are possible:

-The float is on the top of the stem: contact is normally open (the float touch the stem when there is no liquid), and will close when the level rises and the float goes up

-The float is pending downside under the stem: contact is normally closed (the float does not touch the stem) and will open when the level rises and the float goes up and touch the stem.

**Electrical rating:**

Low voltage type: maximum power 10 W (VA), max 0.5Amp, max voltage 110VAC.

230VAC type: max power 40 W (VA), max 1Amp. Values for resistive circuit. For inductive or capacitive loads, a contact protection circuit must be used.

**Contact resistance:** 150mOhms maxi

**Wires:** two 6.35 x 0.8 mm quick connect terminals (to be incorporated inside appropriate ingress protected equipment)

**Liquid limits:** to be used with liquids chemically compatible with PBT, specific gravity higher than 0.9, dynamic viscosity higher than  $0.5 \times 10^{-4}$  Pa.s and lower than  $10^{-2}$  Pa.s, without magnetic particles.

**Ambient temperature:** -20+80°C

**Maximum pressure:** 1 bar (15 PSI)

**Option:** electrical rating 70W, 1A, 250VAC

Electrical Rating	Reference
10VA (max 110VAC)	DTP0P207618E0021
40VA (max 230VAC)	DTP4P207618E0021

Because of permanent improvement of our products, drawings, descriptions, features used on these data sheets are for guidance only and can be modified without prior advice

