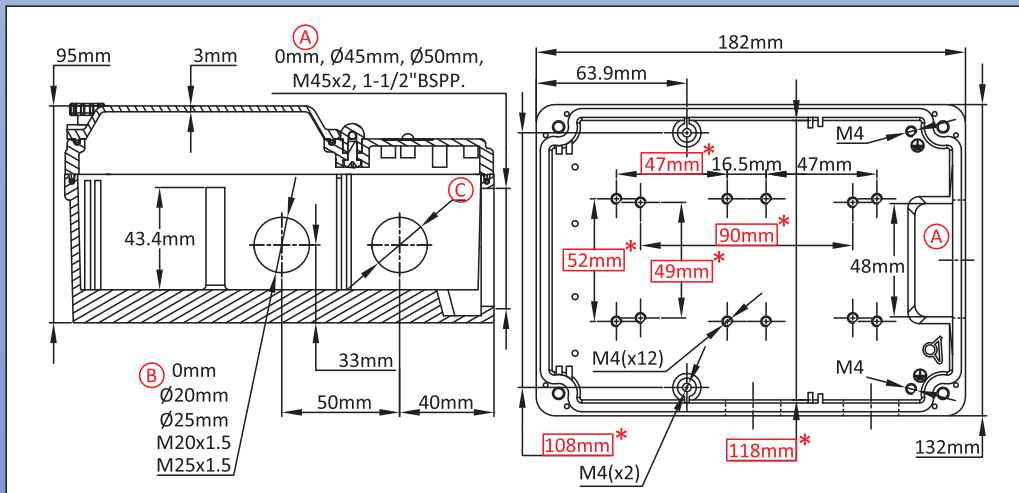


Enclosure with aluminum body, and plastic cover with transparent window, for immersion heater or solid state relays (SSR) controls

Size(mm)	Volume(cm ³)	Material	Protection grade		Model
95 x 132 x 182	2010	Aluminum + PA66 + Polycarbonate	IP69K	IK10	Y3H2

Suitable for
<input type="checkbox"/> Temperature sensor
<input checked="" type="checkbox"/> Immersion heater
<input type="checkbox"/> Finned heater
<input checked="" type="checkbox"/> Thermostat
<input type="checkbox"/> Level sensor
<input type="checkbox"/> Electronic board



Links

Page
(.pdf)

Drawing 2D
(.dwg)

Drawing 3D
(.stp)

Main references

Ⓐ(mm)	Ⓑ(mm)	Ⓒ(mm)	Not painted	Painted	Ⓐ(mm)	Ⓑ(mm)	Ⓒ(mm)	Not painted	Painted
0	0	0	Y3H2000000000007	Y3H200000000000G	50	M20x1.5	0	Y3H250001T000007	Y3H250001T00000G
0	20	0	Y3H2000012000007	Y3H200001200000G	50	M20x1.5	M20x1.5	Y3H250002T000007	Y3H250002T00000G
0	20	20	Y3H2000022000007	Y3H200002200000G	50	M25x1.5	0	Y3H250001T500007	Y3H250001T50000G
0	25	0	Y3H2000012500007	Y3H200001250000G	50	M25x1.5	M25x1.5	Y3H250002T500007	Y3H250002T50000G
0	25	25	Y3H2000022500007	Y3H200002250000G	M45x2	0	0	Y3H2M45000000007	Y3H2M4500000000G
0	M20x1.5	0	Y3H200001T000007	Y3H200001T00000G	M45x2	20	0	Y3H2M45012000007	Y3H2M4501200000G
0	M20x1.5	M20x1.5	Y3H200002T000007	Y3H200002T00000G	M45x2	20	20	Y3H2M45022000007	Y3H2M4502200000G
0	M25x1.5	0	Y3H200001T500007	Y3H200001T50000G	M45x2	25	0	Y3H2M45012500007	Y3H2M4501250000G
0	M25x1.5	M25x1.5	Y3H200002T500007	Y3H200002T50000G	M45x2	25	25	Y3H2M45022500007	Y3H2M4502250000G
45	0	0	Y3H2450000000007	Y3H245000000000G	M45x2	M20x1.5	0	Y3H2M4501T000007	Y3H2M4501T00000G
45	20	0	Y3H2450012000007	Y3H245001200000G	M45x2	M20x1.5	M20x1.5	Y3H2M4502T000007	Y3H2M4502T00000G
45	20	20	Y3H2450022000007	Y3H245002200000G	M45x2	M25x1.5	0	Y3H2M4501T500007	Y3H2M4501T50000G
45	25	0	Y3H2450012500007	Y3H245001250000G	M45x2	M25x1.5	M25x1.5	Y3H2M4502T500007	Y3H2M4502T50000G
45	25	25	Y3H2450022500007	Y3H245002250000G	1½"BSPP	0	0	Y3H2BA2000000007	Y3H2BA200000000G
45	M20x1.5	0	Y3H245001T000007	Y3H245001T00000G	1½"BSPP	20	0	Y3H2BA2012000007	Y3H2BA201200000G
45	M20x1.5	M20x1.5	Y3H245002T000007	Y3H245002T00000G	1½"BSPP	20	20	Y3H2BA2022000007	Y3H2BA202200000G
45	M25x1.5	0	Y3H245001T500007	Y3H245001T50000G	1½"BSPP	25	0	Y3H2BA2012500007	Y3H2BA201250000G
45	M25x1.5	M25x1.5	Y3H245002T500007	Y3H245002T50000G	1½"BSPP	25	25	Y3H2M4501T500007	Y3H2M4501T50000G
50	0	0	Y3H2500000000007	Y3H250000000000G	1½"BSPP	M20x1.5	0	Y3H2BA201T000007	Y3H2BA201T00000G
50	20	0	Y3H2500012000007	Y3H250001200000G	1½"BSPP	M20x1.5	M20x1.5	Y3H2BA202T000007	Y3H2BA202T00000G
50	20	20	Y3H2500022000007	Y3H250002200000G	1½"BSPP	M25x1.5	0	Y3H2BA201T500007	Y3H2BA201T50000G
50	25	0	Y3H2500012500007	Y3H250001250000G	1½"BSPP	M25x1.5	M25x1.5	Y3H2BA202T500007	Y3H2BA202T50000G
50	25	25	Y3H2500022500007	Y3H250002250000G					

Cable gland not included in these reference, consult us if you want them.
Red dimensions inside rectangular frames are used for accessories assembly.

Because of permanent improvement of our products, drawings, descriptions, features used on these data sheets are for guidance only and can be modified without prior advice

