

Enclosure for immersion heater, level sensor or temperature sensor

Size(mm)	Volume(cm ³)	Material	Protection grade		Model
78 x 78 x 74	410	Aluminum	IP69K	IK10	Y304 (P1)

Suitable for

- Temperature sensor
- Immersion heater
- Finned heater
- Thermostat
- Level sensor
- Electronic board



Links



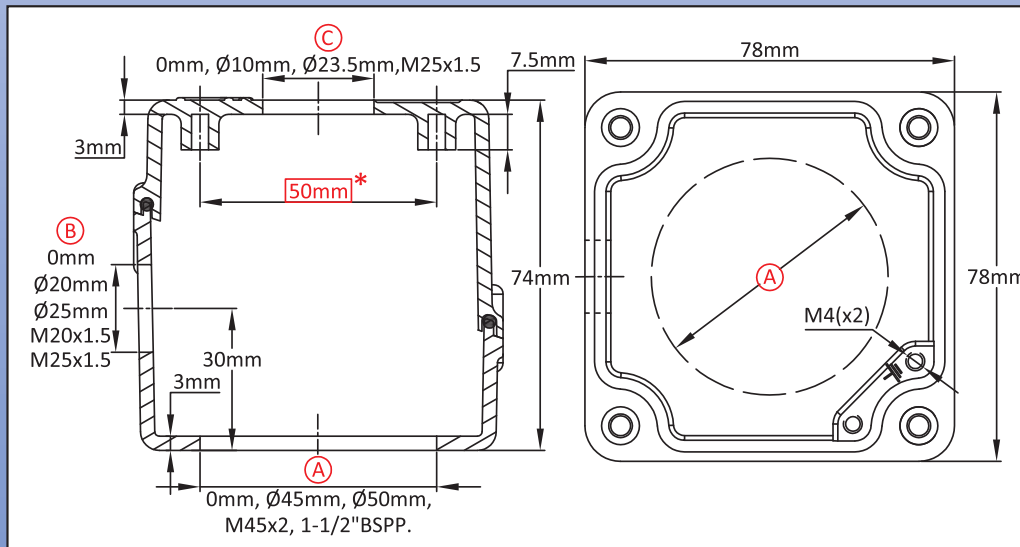
Page
(.pdf)



Drawing 2D
(.dwg)



Drawing 3D
(.stp)



Main references

Ⓐ (mm)	Ⓑ (mm)	Ⓒ (mm)	Not painted	Painted	Ⓐ (mm)	Ⓑ (mm)	Ⓒ (mm)	Not painted	Painted
0	0	0	Y304000000000007	Y30400000000000G	0	M20x1.5	0	Y30400001T000007	Y30400001T00000G
0	0	10	Y304000A00000007	Y304000A0000000G	0	M20x1.5	10	Y304000A1T000007	Y304000A1T00000G
0	0	23.5	Y304000D00000007	Y304000D0000000G	0	M20x1.5	23.5	Y304000D1T000007	Y304000D1T00000G
0	0	M25x1.5	Y304000F00000007	Y304000F0000000G	0	M20x1.5	M25x1.5	Y304000F1T000007	Y304000F1T00000G
0	20	0	Y304000012000007	Y30400001200000G	0	M25x1.5	0	Y30400001T500007	Y30400001T50000G
0	20	10	Y304000A12000007	Y304000A1200000G	0	M25x1.5	10	Y304000A1T500007	Y304000A1T50000G
0	20	23.5	Y304000D12000007	Y304000D1200000G	0	M25x1.5	23.5	Y304000D1T500007	Y304000D1T50000G
0	20	M25x1.5	Y304000F12000007	Y304000F1200000G	0	M25x1.5	M25x1.5	Y304000F1T500007	Y304000F1T50000G
0	25	0	Y304000012500007	Y30400001250000G	45	0	0	Y304450000000007	Y30445000000000G
0	25	10	Y304000A12500007	Y304000A1250000G	45	0	10	Y304450A00000007	Y304450A0000000G
0	25	23.5	Y304000D12500007	Y304000D1250000G	45	0	23.5	Y304450D00000007	Y304450D0000000G
0	25	M25x1.5	Y304000F12500007	Y304000F1250000G	45	0	M25x1.5	Y304450F00000007	Y304450F0000000G

Cable gland not included in these reference, consult us if you want them.
Red dimensions inside rectangular frames are used for accessories assembly.

Because of permanent improvement of our products, drawings, descriptions, features used on these data sheets are for guidance only and can be modified without prior advice



Enclosure for immersion heater, level sensor or temperature sensor

**Y304
(P2)**

(A) (mm)	(B) (mm)	(C) (mm)	Not painted	Painted	(A) (mm)	(B) (mm)	(C) (mm)	Not painted	Painted
45	20	0	Y304450012000007	Y30445001200000G	M45x2	0	23.5	Y304M45D000000007	Y304M45D00000000G
45	20	10	Y304450A12000007	Y304450A1200000G	M45x2	0	M25x1.5	Y304M45F000000007	Y304M45F00000000G
45	20	23.5	Y304450D12000007	Y304450D1200000G	M45x2	20	0	Y304M45012000007	Y304M4501200000G
45	20	M25x1.5	Y304450F12000007	Y304450F1200000G	M45x2	20	10	Y304M45A12000007	Y304M45A1200000G
45	25	0	Y304450012500007	Y30445001250000G	M45x2	20	23.5	Y304M45D12000007	Y304M45D1200000G
45	25	10	Y304450A12500007	Y304450A1250000G	M45x2	20	M25x1.5	Y304M45F12000007	Y304M45F1200000G
45	25	23.5	Y304450D12500007	Y304450D1250000G	M45x2	25	0	Y304M45012500007	Y304M4501250000G
45	25	M25x1.5	Y304450F12500007	Y304450F1250000G	M45x2	25	10	Y304M45A12500007	Y304M45A1250000G
45	M20x1.5	0	Y30445001T000007	Y30445001T00000G	M45x2	25	23.5	Y304M45D12500007	Y304M45D1250000G
45	M20x1.5	10	Y304450A1T000007	Y304450A1T00000G	M45x2	25	M25x1.5	Y304M45F12500007	Y304M45F1250000G
45	M20x1.5	23.5	Y304450D1T000007	Y304450D1T00000G	M45x2	M20x1.5	0	Y304M4501T000007	Y304M4501T00000G
45	M20x1.5	M25x1.5	Y304450F1T000007	Y304450F1T00000G	M45x2	M20x1.5	10	Y304M45A1T000007	Y304M45A1T00000G
45	M25x1.5	0	Y30445001T500007	Y30445001T50000G	M45x2	M20x1.5	23.5	Y304M45D1T000007	Y304M45D1T00000G
45	M25x1.5	10	Y304450A1T500007	Y304450A1T50000G	M45x2	M20x1.5	M25x1.5	Y304M45F1T000007	Y304M45F1T00000G
45	M25x1.5	23.5	Y304450D1T500007	Y304450D1T50000G	M45x2	M25x1.5	0	Y304M4501T500007	Y304M4501T50000G
45	M25x1.5	M25x1.5	Y304450F1T500007	Y304450F1T50000G	M45x2	M25x1.5	10	Y304M45A1T500007	Y304M45A1T50000G
50	0	0	Y304500000000007	Y30450000000000G	M45x2	M25x1.5	23.5	Y304M45D1T500007	Y304M45D1T50000G
50	0	10	Y304500A000000007	Y304500A00000000G	M45x2	M25x1.5	M25x1.5	Y304M45F1T500007	Y304M45F1T50000G
50	0	23.5	Y304500D000000007	Y304500D00000000G	1½" BSPP	0	0	Y304BA20000000007	Y304BA2000000000G
50	0	M25x1.5	Y304500F000000007	Y304500F00000000G	1½" BSPP	0	10	Y304BA2A000000007	Y304BA2A00000000G
50	20	0	Y304500012000007	Y30450001200000G	1½" BSPP	0	23.5	Y304BA2D000000007	Y304BA2D00000000G
50	20	10	Y304500A12000007	Y304500A1200000G	1½" BSPP	0	M25x1.5	Y304BA2F000000007	Y304BA2F00000000G
50	20	23.5	Y304500D12000007	Y304500D1200000G	1½" BSPP	20	0	Y304BA2012000007	Y304BA201200000G
50	20	M25x1.5	Y304500F12000007	Y304500F1200000G	1½" BSPP	20	10	Y304BA2A12000007	Y304BA2A1200000G
50	25	0	Y304500012500007	Y30450001250000G	1½" BSPP	20	23.5	Y304BA2D12000007	Y304BA2D1200000G
50	25	10	Y304500A12500007	Y304500A1250000G	1½" BSPP	20	M25x1.5	Y304BA2F12000007	Y304BA2F1200000G
50	25	23.5	Y304500D12500007	Y304500D1250000G	1½" BSPP	25	0	Y304BA2012500007	Y304BA201250000G
50	25	M25x1.5	Y304500F12500007	Y304500F1250000G	1½" BSPP	25	10	Y304BA2A12500007	Y304BA2A1250000G
50	M20x1.5	0	Y30450001T000007	Y30450001T00000G	1½" BSPP	25	23.5	Y304BA2D12500007	Y304BA2D1250000G
50	M20x1.5	10	Y304500A1T000007	Y304500A1T00000G	1½" BSPP	25	M25x1.5	Y304BA2F12500007	Y304BA2F1250000G
50	M20x1.5	23.5	Y304500D1T000007	Y304500D1T00000G	1½" BSPP	M20x1.5	0	Y304BA201T000007	Y304BA201T00000G
50	M20x1.5	M25x1.5	Y304500F1T000007	Y304500F1T00000G	1½" BSPP	M20x1.5	10	Y304BA2A1T000007	Y304BA2A1T00000G
50	M25x1.5	0	Y30450001T500007	Y30450001T50000G	1½" BSPP	M20x1.5	23.5	Y304BA2D1T000007	Y304BA2D1T00000G
50	M25x1.5	10	Y304500A1T500007	Y304500A1T50000G	1½" BSPP	M20x1.5	M25x1.5	Y304BA2F1T000007	Y304BA2F1T00000G
50	M25x1.5	23.5	Y304500D1T500007	Y304500D1T50000G	1½" BSPP	M25x1.5	0	Y304BA201T500007	Y304BA201T50000G
50	M25x1.5	M25x1.5	Y304500F1T500007	Y304500F1T50000G	1½" BSPP	M25x1.5	10	Y304BA2A1T500007	Y304BA2A1T50000G
M45x2	0	0	Y304M4500000000007	Y304M450000000000G	1½" BSPP	M25x1.5	23.5	Y304BA2D1T500007	Y304BA2D1T50000G
M45x2	0	10	Y304M45A000000007	Y304M45A00000000G	1½" BSPP	M25x1.5	M25x1.5	Y304BA2F1T500007	Y304BA2F1T50000G

Because of permanent improvement of our products, drawings, descriptions, features used on these data sheets are for guidance only and can be modified without prior advice

