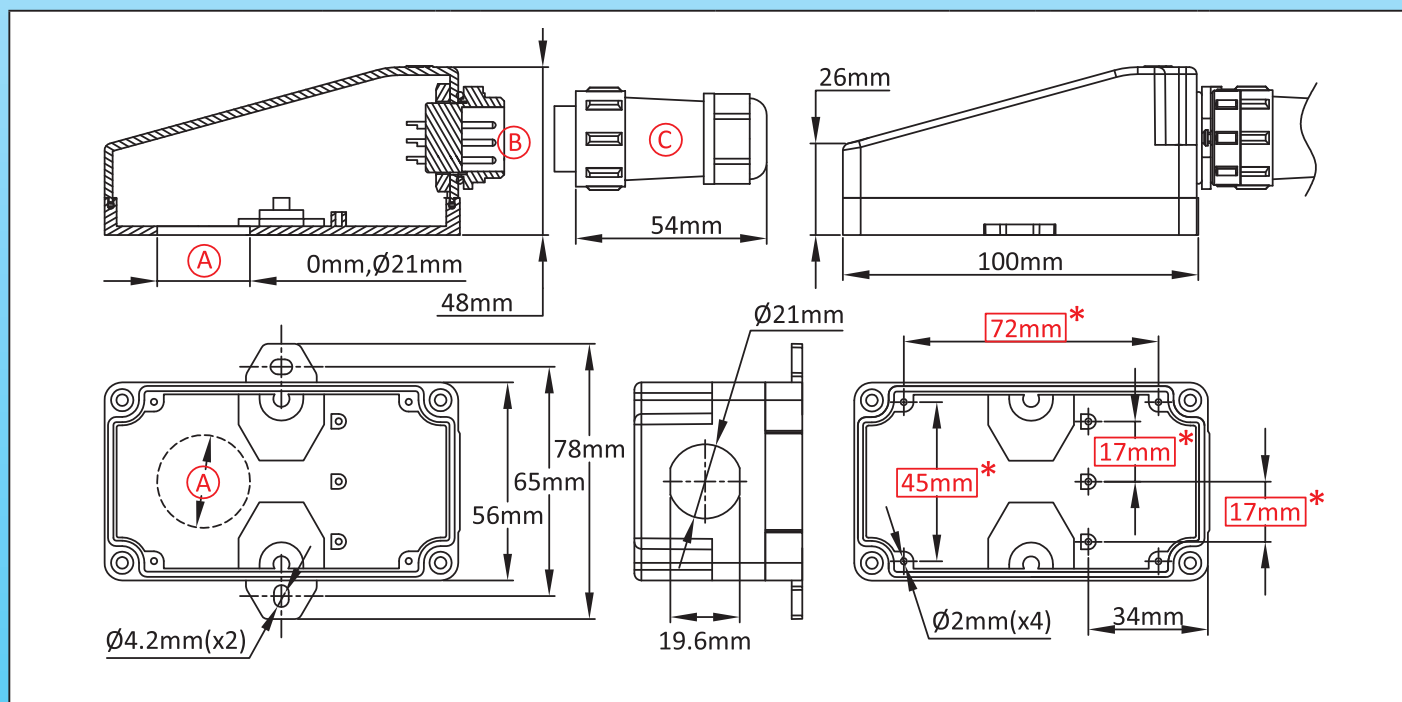


Miniature enclosure for temperature sensor, level sensor, electronic printed circuit or cartridge heater

| Size(mm) | Volume(cm ³) | Material | Protection grade | | Model |
|---------------|--------------------------|----------|------------------|------|-------------|
| 100 x 56 x 48 | 216 | PA66 | IP69K | IK10 | Y3A4 |

| Suitable for |
|--|
| <input checked="" type="checkbox"/> Temperature sensor |
| <input type="checkbox"/> Immersion heater |
| <input type="checkbox"/> Finned heater |
| <input type="checkbox"/> Thermostat |
| <input checked="" type="checkbox"/> Level sensor |
| <input checked="" type="checkbox"/> Electronic board |



Main references

| A (mm) | B | C | Without connection block |
|--------|---|---|--------------------------|
| 0 | x | x | Y3A400001210000T |
| 0 | √ | x | Y3A400001E80000T |
| 0 | √ | √ | Y3A400001E90000T |
| 8 | x | x | Y3A408001210000T |
| 8 | √ | x | Y3A408001E80000T |
| 8 | √ | √ | Y3A408001E90000T |
| 21 | x | x | Y3A421001210000T |
| 21 | √ | x | Y3A421001E80000T |
| 21 | √ | √ | Y3A421001E90000T |

Links

| | |
|--|-------------------|
| | Page (.pdf) |
| | Drawing 2D (.dwg) |
| | Drawing 3D (.stp) |

Others drilling diameters on request.

Red dimensions inside rectangular frames on drawings are used for accessories assembly.

