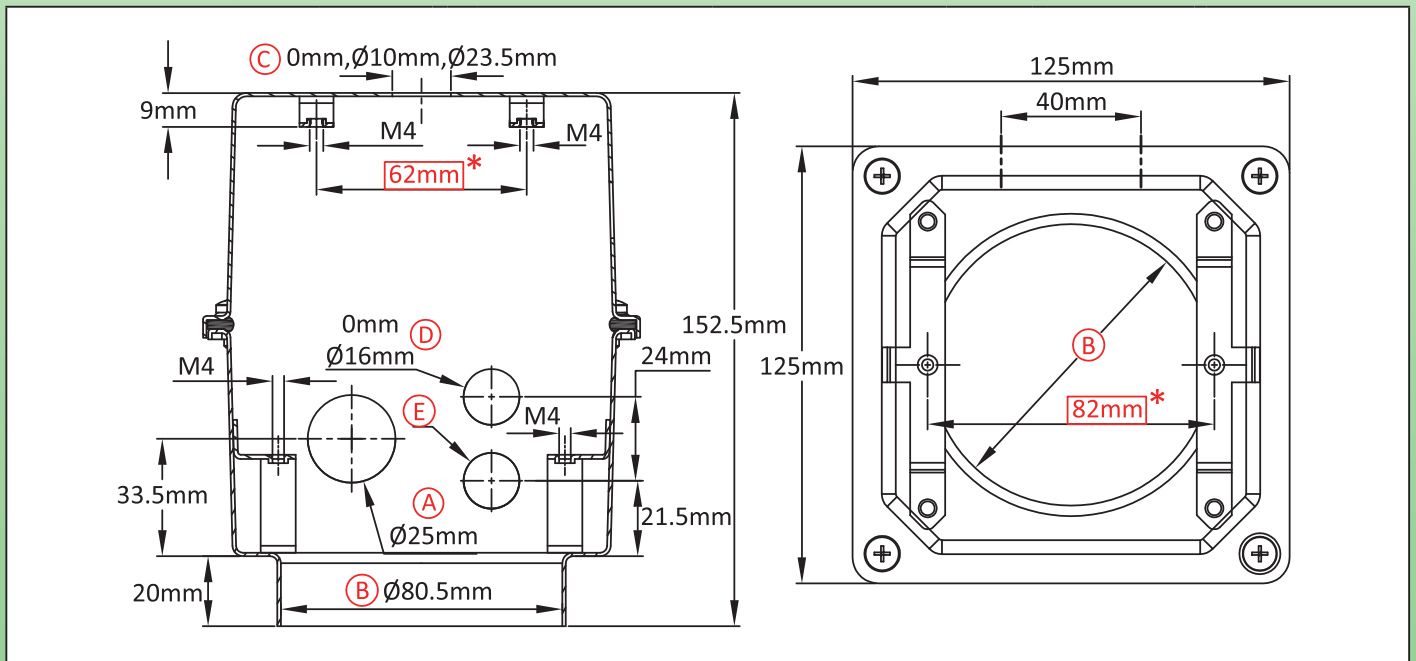


# Big size immersion heater or controls enclosure, for direct welding on pipes

Size(mm)	Volume(cm <sup>3</sup> )	Material	Protection grade		Model
125 × 125 × 135	1668	stainless steel	IP69K	IK7	<b>Y3T8</b>

Suitable for
<input type="checkbox"/> Temperature sensor
<input checked="" type="checkbox"/> Immersion heater
<input type="checkbox"/> Finned heater
<input checked="" type="checkbox"/> Thermostat
<input type="checkbox"/> Level sensor
<input checked="" type="checkbox"/> Electronic board



## Main references

(A)(mm)	(B)(mm)	(C)(mm)	(D)(mm)	(E)(mm)	304	316
25	80.5	0	16	16	Y3T880503S3G1008	Y3T880503S3G1009
25	80.5	0	0	16	Y3T880502C5G1008	Y3T880502C5G1009
25	80.5	0	0	0	Y3T88050125G1008	Y3T88050125G1009
25	80.5	10	16	16	Y3T8805A3S3G1008	Y3T8805A3S3G1009
25	80.5	10	0	16	Y3T8805A2C5G1008	Y3T8805A2C5G1009
25	80.5	10	0	0	Y3T8805A125G1008	Y3T8805A125G1009
25	80.5	23.5	16	16	Y3T8805D3S3G1008	Y3T8805D3S3G1009
25	80.5	23.5	0	16	Y3T8805D2C5G1008	Y3T8805D2C5G1009
25	80.5	23.5	0	0	Y3T8805D125G1008	Y3T8805D125G1009

## Links

	Page (.pdf)
	Drawing 2D (.dwg)
	Drawing 3D (.stp)

Cable gland not included in these reference, consult us if you want them.  
 Red dimensions inside rectangular frames are used for accessories assembly.

Because of permanent improvement of our products, drawings, descriptions, features used on these data sheets are for guidance only and can be modified without prior advice

