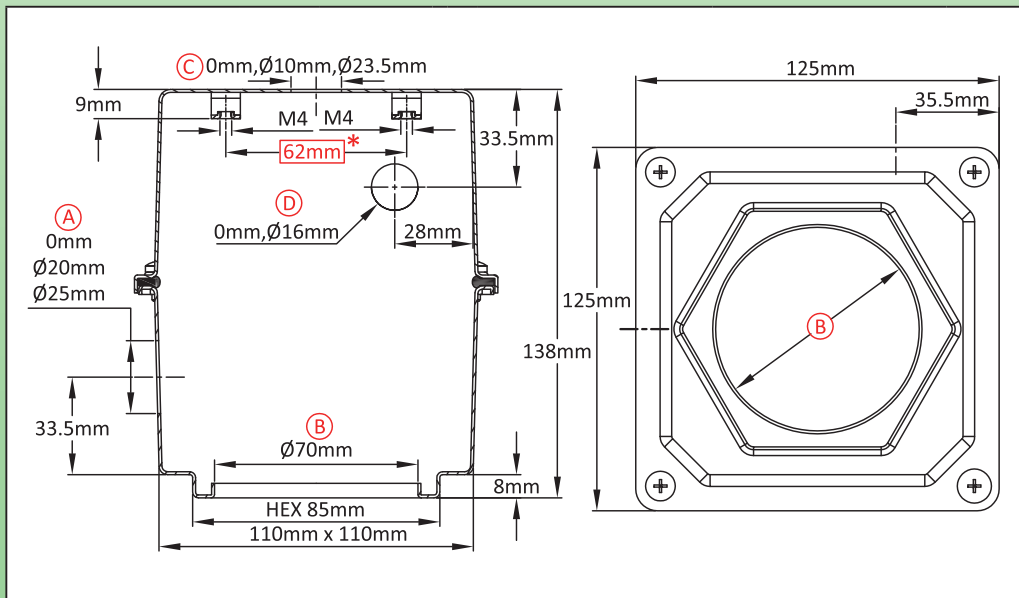



# Big size enclosure with built in hexagon for large size immersion heaters


Size(mm)	Volume(cm <sup>3</sup> )	Material	Protection grade		Model
125 × 125 × 138	1551	stainless steel	IP69K	IK7	<b>Y3S9</b>


Suitable for
<input type="checkbox"/> Temperature sensor
<input checked="" type="checkbox"/> Immersion heater
<input type="checkbox"/> Finned heater
<input checked="" type="checkbox"/> Thermostat
<input type="checkbox"/> Level sensor
<input checked="" type="checkbox"/> Electronic board



**Links**

 Page (.pdf)

 Drawing 2D (.dwg)

 Drawing 3D (.stp)

## Main references

(A) (mm)	(B) (mm)	(C) (mm)	(D) (mm)	304	316	(A) (mm)	(B) (mm)	(C) (mm)	(D) (mm)	304	316
0	70	0	0	Y3S97000000G1008	Y3S97000000G1009	20	70	10	16	Y3S9700A2C0G1008	Y3S9700A2C0G1009
0	70	0	16	Y3S97000116G1008	Y3S97000116G1009	20	70	23.5	0	Y3S9700D120G1008	Y3S9700D120G1009
0	70	10	0	Y3S9700A000G1008	Y3S9700A000G1009	20	70	23.5	16	Y3S9700D2C0G1008	Y3S9700D2C0G1009
0	70	10	16	Y3S9700A116G1008	Y3S9700A116G1009	25	70	0	0	Y3S97000125G1008	Y3S97000125G1009
0	70	23.5	0	Y3S9700D000G1008	Y3S9700D000G1009	25	70	0	16	Y3S970002C5G1008	Y3S970002C5G1009
0	70	23.5	16	Y3S9700D116G1008	Y3S9700D116G1009	25	70	10	0	Y3S9700A125G1008	Y3S9700A125G1009
20	70	0	0	Y3S97000120G1008	Y3S97000120G1009	25	70	10	16	Y3S9700A2C5G1008	Y3S9700A2C5G1009
20	70	0	16	Y3S970002C0G1008	Y3S970002C0G1009	25	70	23.5	0	Y3S9700D125G1008	Y3S9700D125G1009
20	70	10	0	Y3S9700A120G1008	Y3S9700A120G1009	25	70	23.5	16	Y3S9700D2C5G1008	Y3S9700D2C5G1009

Cable gland not included in these reference, consult us if you want them.

Red dimensions inside rectangular frames are used for accessories assembly.

Because of permanent improvement of our products, drawings, descriptions, features used on these data sheets are for guidance only and can be modified without prior advice

