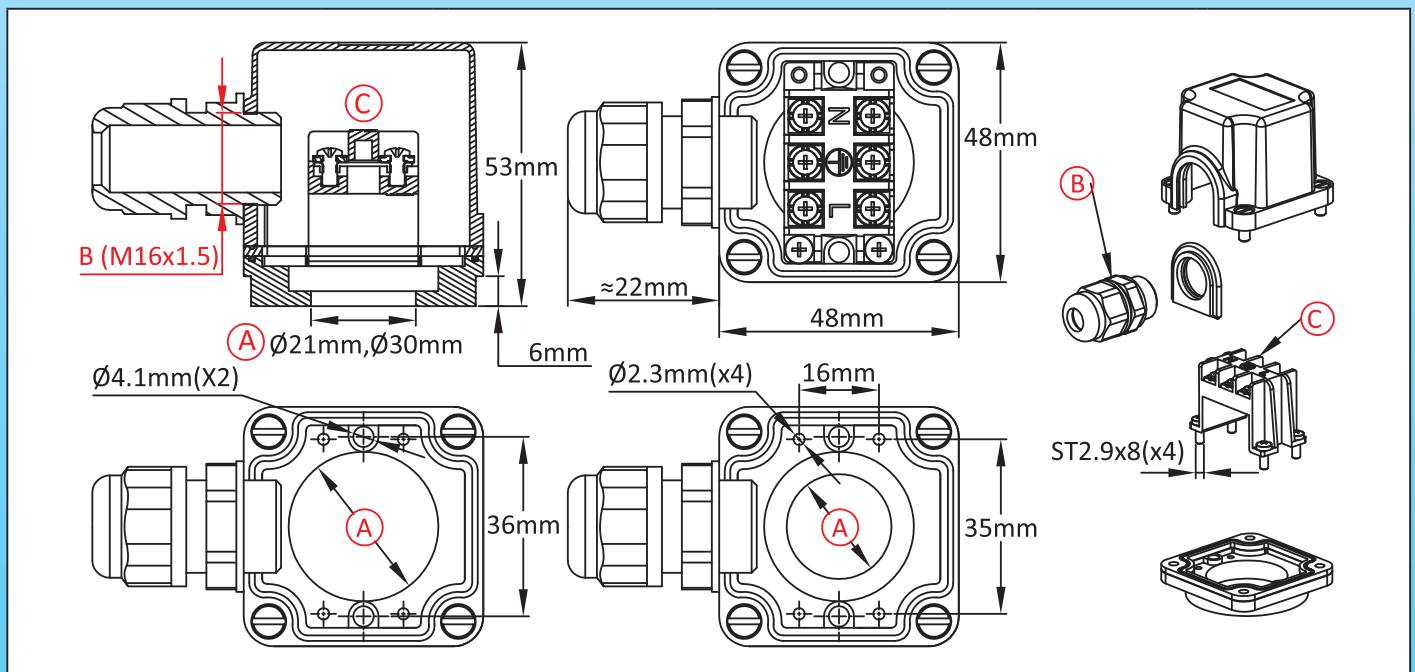


# Miniature enclosure for temperature sensor, level sensor, electronic printed circuit or cartridge heater

Size(mm)	Volume(cm <sup>3</sup> )	Material	Protection grade		Model
48 x 48 x 41	93	PA66	IPX5	IK8	<b>Y301</b>

Suitable for	
<input type="checkbox"/> Temperature sensor	
<input checked="" type="checkbox"/> Immersion heater	
<input type="checkbox"/> Finned heater	
<input type="checkbox"/> Thermostat	
<input type="checkbox"/> Level sensor	
<input type="checkbox"/> Electronic board	



## Main references

(A) (mm)	With connection block (C)	Without connection block (C)
21	Y30121001E6H100T	Y30121001E60000T
30	Y30130001E6H100T	Y30130001E60000T

## Links

	Page (.pdf)
	Drawing 2D (.dwg)
	Drawing 3D (.stp)

Because of permanent improvement of our products, drawings, descriptions, features used on these data sheets are for guidance only and can be modified without prior advice

Cable gland not included in these reference, consult us if you want them.  
 Red dimensions inside rectangular frames on drawings are used for accessories assembly.

