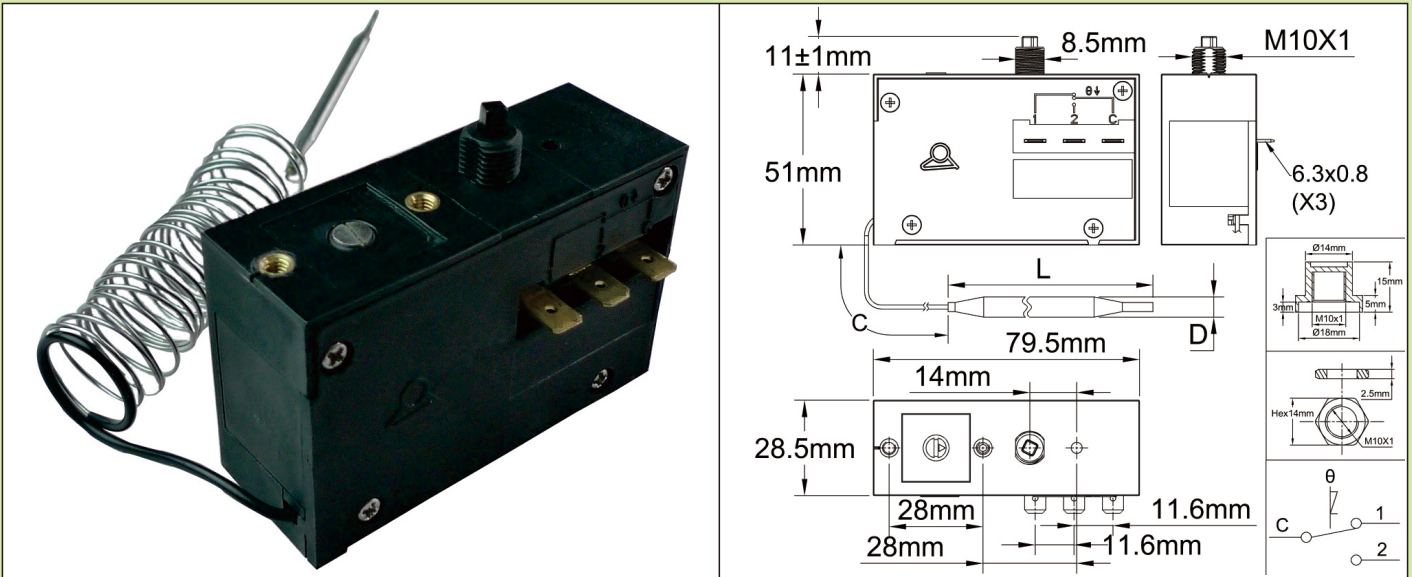


Types KZ-3

Single pole manual reset limiter, bulb and capillary, fail safe, SPDT contact



Housing dimensions: 79.5 x 51 x 28.5mm (6.3 quick connect terminals and manual reset button not included)

Bulb and capillary: copper or stainless steel depending on temperature range, standard capillary length 1500 mm. Capillary minimum bending radius 5mm.

Temperature sensing element: liquid filled bulb and capillary.

Terminals: 3 tabs 6.35 x 0.8 mm

Adjustment: Non-adjustable set point, factory sealed

Trip off at freezing temperature: lower than -10°C. Consult factory if ambient temperature can decrease to lower values.

Mounting: by 2 M4 screws, 28mm distance or by M10x1 bushing.

Rating: 16A (1/4 HP) 250VAC, 16A 400V res.

Contact: SPDT (snap action contact), manual reset

Electrical life: >100,000 cycles at nominal rating.

Accessories: M10x1 nut and manual reset cap are included.

Options: Fixed setting can be replaced by screw driver with limited adjustment possibilities.

Main references

References	Possible calibration span (°C/°F)	Capillary length (C,mm)	Bulb diameter(D, mm)	Bulb length(L,mm)	Max temperature on bulb (°C/°F)
KZF050***230V	0-50°C (32-120°F)	1500	6.4	152	60°C (140°F)
KZF050***530V	10-150°C (50-300°F)	1500	4.8	130	160°C (320°F)
KZF050***130V	10-150°C (50-300°F)	3000	4.8	130	160°C (320°F)
KZF050***030V	50-300°C (120-570°F)	1500	4	100	320°C (610°F)
KZF050***730V	60-500°C (140-930°F)	1500	4.8	120	760°C (1400°F)
KZF050***930V	60-500°C (140-930°F)	3000	4.8	120	760°C (1400°F)

***= Calibration value in °C

Caution: Bulbs and capillaries of ranges above 400°C are filled with sodium potassium eutectic. If they leak or are broken, this liquid will ignite if in contact with water.