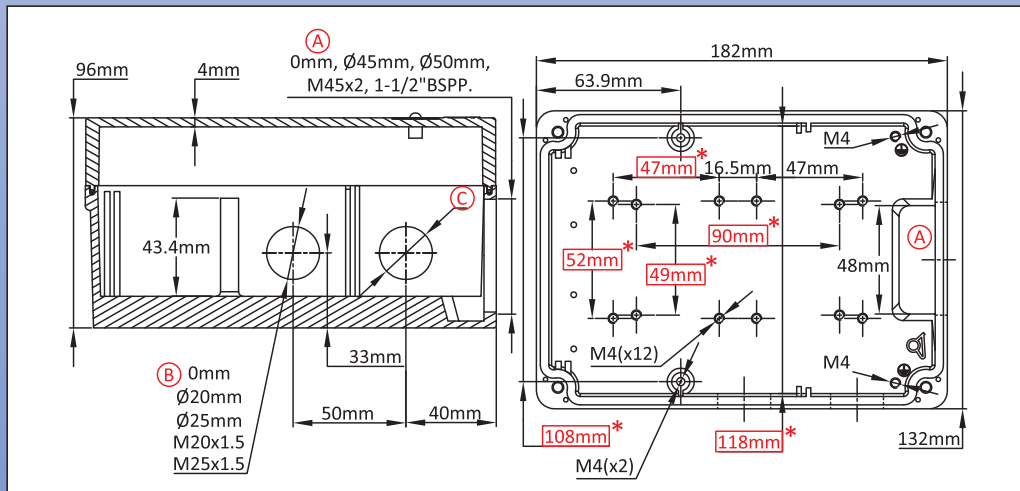


All aluminum enclosure, for immersion heater or solid state relays (SSR) controls

Size(mm)	Volume(cm ³)	Material	Protection grade		Model
96 x 132 x 182	2050	Aluminum	IP69K	IK10	Y3H3

Suitable for
<input type="checkbox"/> Temperature sensor
<input checked="" type="checkbox"/> Immersion heater
<input type="checkbox"/> Finned heater
<input checked="" type="checkbox"/> Thermostat
<input type="checkbox"/> Level sensor
<input type="checkbox"/> Electronic board



Links

Page
(.pdf)

Drawing 2D
(.dwg)

Drawing 3D
(.stp)

Main references

Ⓐ(mm)	Ⓑ(mm)	Ⓒ(mm)	Not painted	Painted	Ⓐ(mm)	Ⓑ(mm)	Ⓒ(mm)	Not painted	Painted
0	0	0	Y3H3000000000007	Y3H3000000000000G	50	M20x1.5	0	Y3H350001T000007	Y3H350001T00000G
0	20	0	Y3H3000012000007	Y3H300001200000G	50	M20x1.5	M20x1.5	Y3H350002T000007	Y3H350002T00000G
0	20	20	Y3H3000022000007	Y3H300002200000G	50	M25x1.5	0	Y3H350001T500007	Y3H350001T50000G
0	25	0	Y3H3000012500007	Y3H300001250000G	50	M25x1.5	M25x1.5	Y3H350002T500007	Y3H350002T50000G
0	25	25	Y3H3000022500007	Y3H300002250000G	M45x2	0	0	Y3H3M45000000007	Y3H3M4500000000G
0	M20x1.5	0	Y3H300001T000007	Y3H300001T00000G	M45x2	20	0	Y3H3M45012000007	Y3H3M4501200000G
0	M20x1.5	M20x1.5	Y3H300002T000007	Y3H300002T00000G	M45x2	20	20	Y3H3M45022000007	Y3H3M4502200000G
0	M25x1.5	0	Y3H300001T500007	Y3H300001T50000G	M45x2	25	0	Y3H3M45012500007	Y3H3M4501250000G
0	M25x1.5	M25x1.5	Y3H300002T500007	Y3H300002T50000G	M45x2	25	25	Y3H3M45022500007	Y3H3M4502250000G
45	0	0	Y3H3450000000007	Y3H345000000000G	M45x2	M20x1.5	0	Y3H3M4501T000007	Y3H3M4501T00000G
45	20	0	Y3H3450012000007	Y3H345001200000G	M45x2	M20x1.5	M20x1.5	Y3H3M4502T000007	Y3H3M4502T00000G
45	20	20	Y3H3450022000007	Y3H345002200000G	M45x2	M25x1.5	0	Y3H3M4501T500007	Y3H3M4501T50000G
45	25	0	Y3H3450012500007	Y3H345001250000G	M45x2	M25x1.5	M25x1.5	Y3H3M4502T500007	Y3H3M4502T50000G
45	25	25	Y3H3450022500007	Y3H345002250000G	1½"BSPP	0	0	Y3H3BA2000000007	Y3H3BA200000000G
45	M20x1.5	0	Y3H345001T000007	Y3H345001T00000G	1½"BSPP	20	0	Y3H3BA2012000007	Y3H3BA201200000G
45	M20x1.5	M20x1.5	Y3H345002T000007	Y3H345002T00000G	1½"BSPP	20	20	Y3H3BA2022000007	Y3H3BA202200000G
45	M25x1.5	0	Y3H345001T500007	Y3H345001T50000G	1½"BSPP	25	0	Y3H3BA2012500007	Y3H3BA201250000G
45	M25x1.5	M25x1.5	Y3H345002T500007	Y3H345002T50000G	1½"BSPP	25	25	Y3H3BA2022500007	Y3H3BA202250000G
50	0	0	Y3H3500000000007	Y3H350000000000G	1½"BSPP	M20x1.5	0	Y3H3BA201T000007	Y3H3BA201T00000G
50	20	0	Y3H3500012000007	Y3H350001200000G	1½"BSPP	M20x1.5	M20x1.5	Y3H3BA202T000007	Y3H3BA202T00000G
50	20	20	Y3H3500022000007	Y3H350002200000G	1½"BSPP	M25x1.5	0	Y3H3BA201T500007	Y3H3BA201T50000G
50	25	0	Y3H3500012500007	Y3H350001250000G	1½"BSPP	M25x1.5	M25x1.5	Y3H3BA202T500007	Y3H3BA202T50000G
50	25	25	Y3H3500022500007	Y3H350002250000G					

Cable gland not included in these reference, consult us if you want them.
Red dimensions inside rectangular frames are used for accessories assembly.

Because of permanent improvement of our products, drawings, descriptions, features used on these data sheets are for guidance only and can be modified without prior advice

