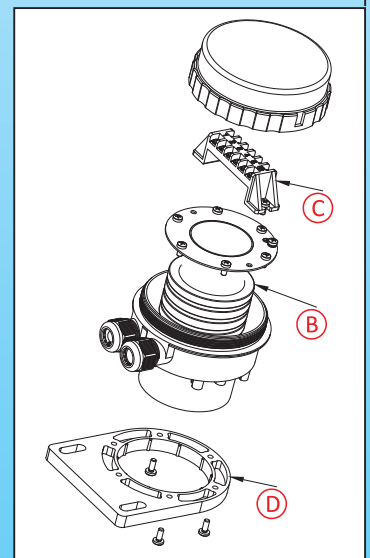
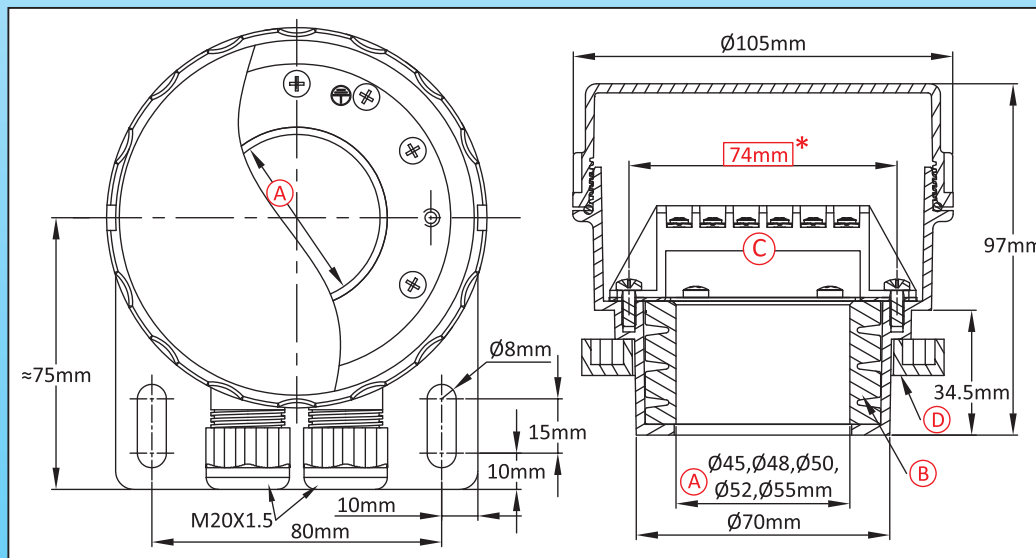
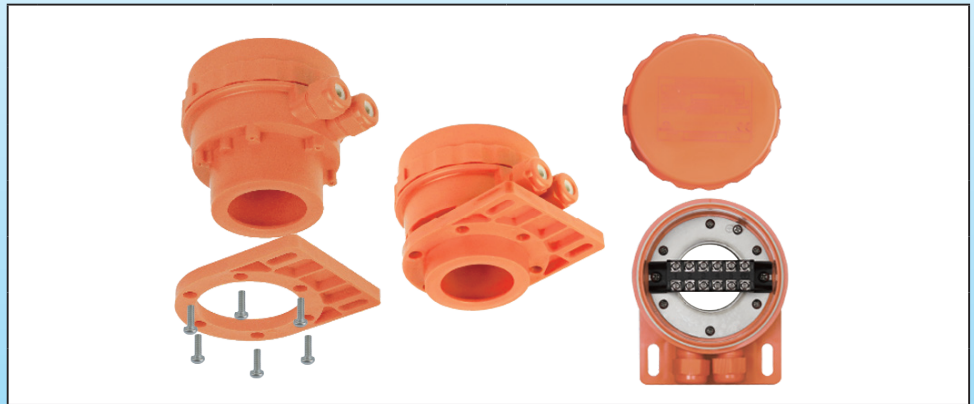


Polypropylene immersion heater enclosure for surface treatment baths and highly corrosive environments

Size(mm)	Volume(cm ³)	Material	Protection grade		Model
Dia. 105 x 95	663	Polypropylene	IP69K	IK10	Y3C6




Suitable for
<input type="checkbox"/> Temperature sensor
<input checked="" type="checkbox"/> Immersion heater
<input type="checkbox"/> Finned heater
<input checked="" type="checkbox"/> Thermostat
<input type="checkbox"/> Level sensor
<input type="checkbox"/> Electronic board



Main references

(A) (mm)	(B)	(D)	With connection block (C)	Without connection block (C)	(A) (mm)	(B)	(D)	With connection block (C)	Without connection block (C)
45	Silicone	√	Y3C6450022BH40XU	Y3C6450022B000XU	50	FKM	×	Y3C6500022BH40WU	Y3C6500022B000WU
45	Silicone	×	Y3C6450022BH40UU	Y3C6450022B000UU	50	NBR	√	Y3C6500022BH40YU	Y3C6500022B000YU
45	FKM	√	Y3C6450022BH40ZU	Y3C6450022B000ZU	50	NBR	×	Y3C6500022BH40VU	Y3C6500022B000VU
45	FKM	×	Y3C6450022BH40WU	Y3C6450022B000WU	52	Silicone	√	Y3C6520022BH40XU	Y3C6520022B000XU
45	NBR	√	Y3C6450022BH40YU	Y3C6450022B000YU	52	Silicone	×	Y3C6520022BH40UU	Y3C6520022B000UU
45	NBR	×	Y3C6450022BH40VU	Y3C6450022B000VU	52	FKM	√	Y3C6520022BH40ZU	Y3C6520022B000ZU
48	Silicone	√	Y3C6480022BH40XU	Y3C6480022B000XU	52	FKM	×	Y3C6520022BH40WU	Y3C6520022B000WU
48	Silicone	×	Y3C6480022BH40UU	Y3C6480022B000UU	52	NBR	√	Y3C6520022BH40YU	Y3C6520022B000YU
48	FKM	√	Y3C6480022BH40ZU	Y3C6480022B000ZU	52	NBR	×	Y3C6520022BH40VU	Y3C6520022B000VU
48	FKM	×	Y3C6480022BH40WU	Y3C6480022B000WU	55	Silicone	√	Y3C6550022BH40XU	Y3C6550022B000XU
48	NBR	√	Y3C6480022BH40YU	Y3C6480022B000YU	55	Silicone	×	Y3C6550022BH40UU	Y3C6550022B000UU
48	NBR	×	Y3C6480022BH40VU	Y3C6480022B000VU	55	FKM	√	Y3C6550022BH40ZU	Y3C6550022B000ZU
50	Silicone	√	Y3C6500022BH40XU	Y3C6500022B000XU	55	FKM	×	Y3C6550022BH40WU	Y3C6550022B000WU
50	Silicone	×	Y3C6500022BH40UU	Y3C6500022B000UU	55	NBR	√	Y3C6550022BH40YU	Y3C6550022B000YU
50	FKM	√	Y3C6500022BH40ZU	Y3C6500022B000ZU	55	NBR	×	Y3C6550022BH40VU	Y3C6550022B000VU

Links

	Page (.pdf)		Drawing 2D (.dwg)		Drawing 3D (.stp)
---	----------------	---	----------------------	---	----------------------

Cable gland not included in these reference, consult us if you want them.
 Red dimensions inside rectangular frames on drawings are used for accessories assembly.

