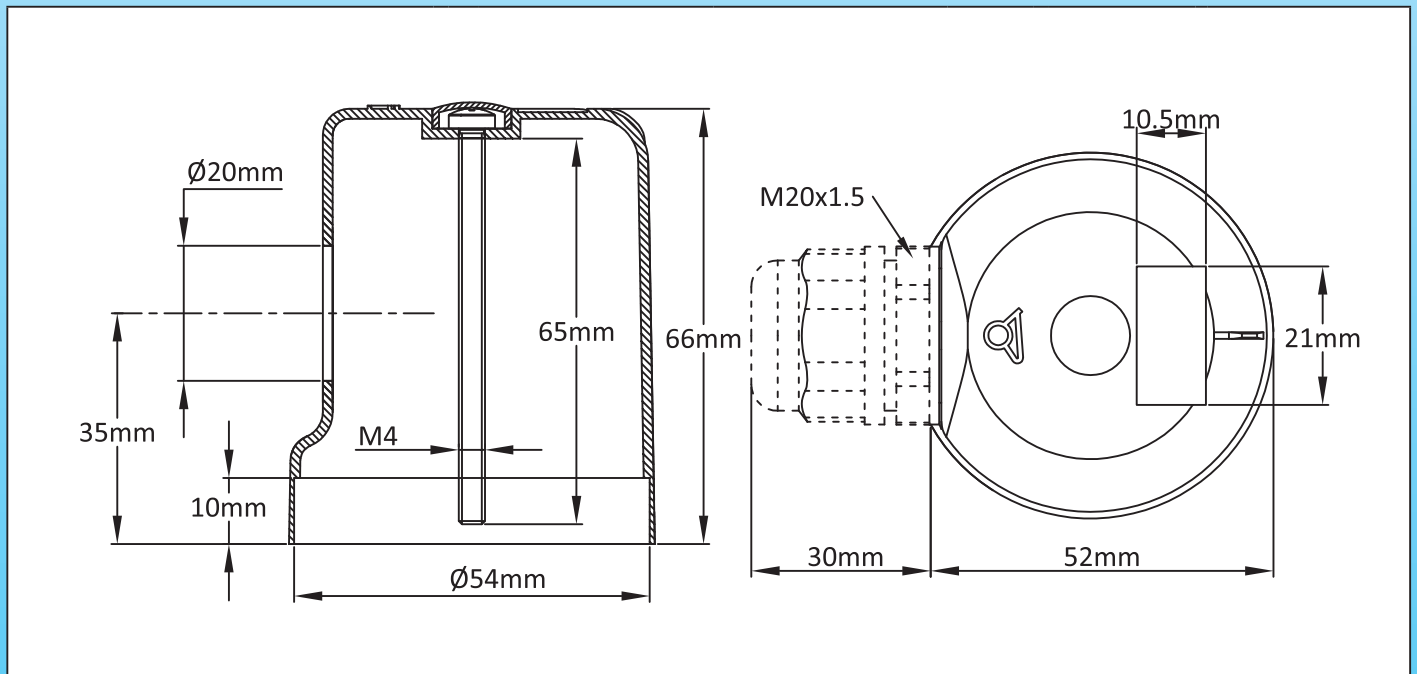


Simplified immersion heater enclosure for fittings with M4 central screw

Size(mm)	Volume(cm ³)	Material	Protection grade		Model
Dia. 54 x 66	160	PA66	IP69K	IK8	Y302




Suitable for
<input type="checkbox"/> Temperature sensor
<input checked="" type="checkbox"/> Immersion heater
<input type="checkbox"/> Finned heater
<input type="checkbox"/> Thermostat
<input type="checkbox"/> Level sensor
<input type="checkbox"/> Electronic board



Main reference

Y30200011200000T

Links

	Page (.pdf)
	Drawing 2D (.dwg)
	Drawing 3D (.stp)

Cable gland not included in these reference, consult us if you want them.
Red dimensions inside rectangular frames on drawings are used for accessories assembly.

