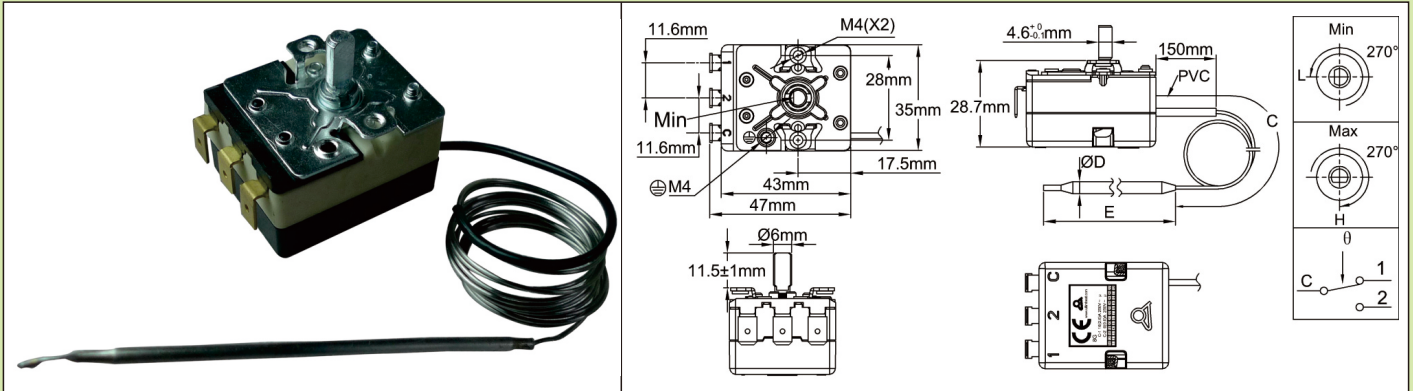


Type 8G.

Single pole control thermostat, bulb and capillary

- 2016 improvements:
 -New temperature ranges,
 -Reduced differential,
 -Ground terminal,
 -Power rating up to 20A 250V,
 -Aligned terminals, compatible with 3 way connectors.



Housing dimensions: 43 x 35 x 29 mm (without terminals)

Bulb and capillary: stainless steel, with 150 mm long PVC sleeve on the capillary. Capillary minimum bending radius is 5 mm. No capillary sleeve for temperature ranges above 400°C (750°F)

Temperature sensing element: Oil filled bulb and capillary.

Caution: Temperature ranges above 400°C (750°F) are filled with sodium-potassium eutectic. In case of breakage of the bulb or capillary, this liquid may self-ignite at room temperature in the presence of water or moisture.

Terminals: 6.35 x 0.8 quick connect terminals, 90° bended. Straight terminals or terminals with M4 screws also available on request. (MOQ apply). Terminal positions and alignment allow the use of a connector with flat or bended terminals.

Adjustment: Dia. 6 mm shaft with 4.6 mm flat, length 11.5 mm. Other lengths, screw driver adjustment or fixed setting available on request.

Mounting: Front bracket with 2 x M4 threads, 28 mm distance

Grounding: M4 thread on mounting bracket

Contact: SPDT

Electrical rating, resistive loads:

-Open on temperature rise contact (C-1)

16A 250V, 50 ~60Hz: >100000 cycles,

20A 250V, 50 ~60Hz: ≥ 50000 cycles,

10A 400V, 50 ~60Hz: ≥ 50000 cycles.

-Close on temperature rise contact (C-2): 6A 250V 50 ~60Hz: >100000 cycles

Electrical rating, inductive loads:

-Open on temperature rise contact (C-1): **6A 250V**, 50 ~60Hz: >100000 cycles

-Close on temperature rise contact (C-2): 0.6A 250V 50 ~60Hz: >100000 cycles

Main references

Reference	Temperature range °C (°F)	Capillary length (C, mm)	Bulb diameter (D, mm)	Bulb length (E, mm)	Differential °C (°F)	Max temperature on bulb °C (°F)
8GB-35035AO60001	-35+35°C (-30+95°F)	1500	6	120±5	1,6±1°C (2,9±2°F)	60°C (140°F)
8GB-35035AA60001	-35+35°C (-30+95°F)	250	6	120±5	1,6±1°C (2,9±2°F)	60°C (140°F)
8GB-10040AO60001	-10+40°C (15-105°F)	1500	6	107±5	1,5±1°C (2,7±2°F)	70°C (158°F)
8GB-10040AA60001	-10+40°C (15-105°F)	250	6	107±5	1,5±1°C (2,7±2°F)	70°C (158°F)
8GB004040AQ30001	4-40°C (40-105°F)	250	Pig tail style, dia. 30mm coil	55±10	1±0.5°C (1,8±1°F)	70°C (158°F)
8GB004040AA80001	4-40°C (40-105°F)	250	8	85±5	1±0.5°C (1,8±1°F)	70°C (158°F)
8GB004040AO60001	4-40°C (40-105°F)	1500	6	120±5	1±0.5°C (1,8±1°F)	70°C (158°F)
8GB004040AA60001	4-40°C (40-105°F)	250	6	120±5	1±0.5°C (1,8±1°F)	70°C (158°F)
8GB000060AO60001	0-60°C (32-140°F)	1500	6	86±5	2.5±1°C (4,5±1,8F)	80°C (176°F)
8GB000060AA80001	0-60° (32- 140°F)	250	8	63±5	2.5±1°C (4,5±1,8F)	80°C (176°F)
8GB000090AO60001	0-90°C (32-195°F)	1500	6	98±5	2.5±1°C (4,5±1,8F)	120°C (250°F)
8GB030090AO60001	30-90°C (85-195°F)	1500	6	98±5	2.5±1°C (4,5±1,8F)	120°C (250°F)
8GB030090AA80001	30-90°C (85-195°F)	250	8	63±5	2.5±1°C (4,5±1,8F)	120°C (250°F)
8GB030110AO60001	30-110°C (85-230°F)	1500	6	86±5	2.5±1°C (4,5±1,8F)	140°C (284°F)
8GB030110AA80001	30-110°C (85-230°F)	250	8	55±5	2.5±1°C (4,5±1,8F)	140°C (284°F)
8GB050200AO60001	50-200°C (120-390°F)	1500	6	65±5	4±2°C (7±3.6F)	230°C (446°F)
8GB050300AO30001	50-300°C (120-570°F)	1500	3	145±5	10°C±2°C (18±3.6F)	330°C (626°F)
8GB100400AO30001	100-400°C (210-750°F)	1500	3	93±5	10°C±2°C (18±3.6F)	430°C (800°F)
8GB100500AE40000	100-500°C (210-930°F)	500	4	235±5	10°C±2°C (18±3.6F)	550°C (1000°F)
8GB100500AG40000	100-500°C (210-930°F)	750	4	235±5	10°C±2°C (18±3.6F)	550°C (1000°F)
8GB100500AN40000	100-500°C (210-930°F)	1400	4	235±5	10°C±2°C (18±3.6F)	550°C (1000°F)

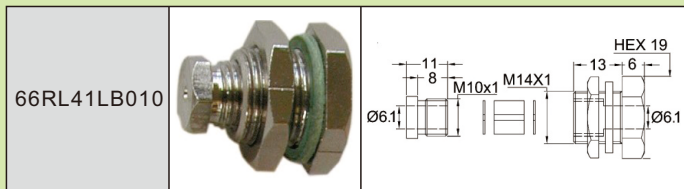
Other temperature ranges available on request.



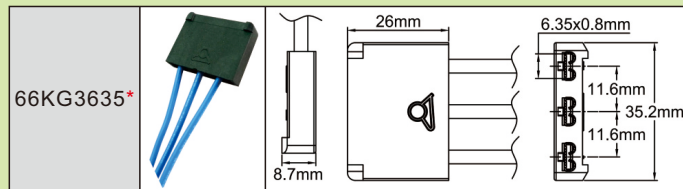
Type 8G.

Single pole control thermostat, bulb and capillary

Capillary stuffing box with flat fiber gasket and M14 nut. Silicone seal. Nickel plated brass body. Max temperature 220°C.



3 way connector. Exists unassembled, with female terminals non-crimped, or assembled, with crimped wires, length, gauge and style upon customer request.



* The 16 character full reference is issued upon customer wire types and length specs

Many other accessories are available: pockets, flanges, fittings: see the full list in catalogue #1.

Usual knobs and bezels.

°C Printing					
0-10	-35+35°C	-10+40°C	4-40°C	0-60°C	0-90°C
66MZ000010502FW 30-90°C	66MZ006-350352FW 30-110°C	66MZ006-100402FW 50-200°C	66MZ0060040402FW 50-300°C	66MZ0060000602FW 100-400°C	66MZ0060000902FW 100-500°C
66MZ0060300901FW	66MZ0060301101FW	66MZ0060502001FW	66MZ0060503001FW	66MZ0061004007FW	66MZ0061005007FW

°F Printing					
0-10	-30+95°F	15-105°F	40-105°F	32-140°F	32-195°F
66MZ000010502FW 85-195°F	66MZ006-350352FX 85-230°F	66MZ006-100402FX 120-390°F	66MZ0060040402FX 120-570°F	66MZ0060000602FX 210-750°F	66MZ0060000902FX 210-930°F
66MZ0060300901FX	66MZ0060301101FX	66MZ0060502001FX	66MZ0060503001FX	66MZ0061004007FX	66MZ0061005007FX

Modern design soft grip knob, dia.41mm. Polycarbonate and rubber.	Skirt knob, dia 50mm, black ABS.	US 2" size knob, dia. 50mm. Black PA66.	Miniature knob dia. 10mm. Black PA66.	Black or chromed ABS bezel, for dia. 41 mm knobs.	Black or chromed ABS bezel, for dia. 50mm knobs.	Stainless steel bezel for knobs dia. 41 mm	Stainless steel bezel for knobs dia. 50 mm
66MZ*	66MU*	66MP*	66MQ	Black: 66EN1 Chromed: 66EN3	Black: 66EN5 Chromed: 66EN6	66EN2**	66EN4**

*Full knob reference with printing has 16 characters. Many others knobs are available, see the full knob list at the end of catalogue N°1.

** Low cost versions also available in Nickel or Chrome plated steel

Because of permanent improvement of our products, drawings, descriptions, features used on these data sheets are for guidance only and can be modified without prior advice

