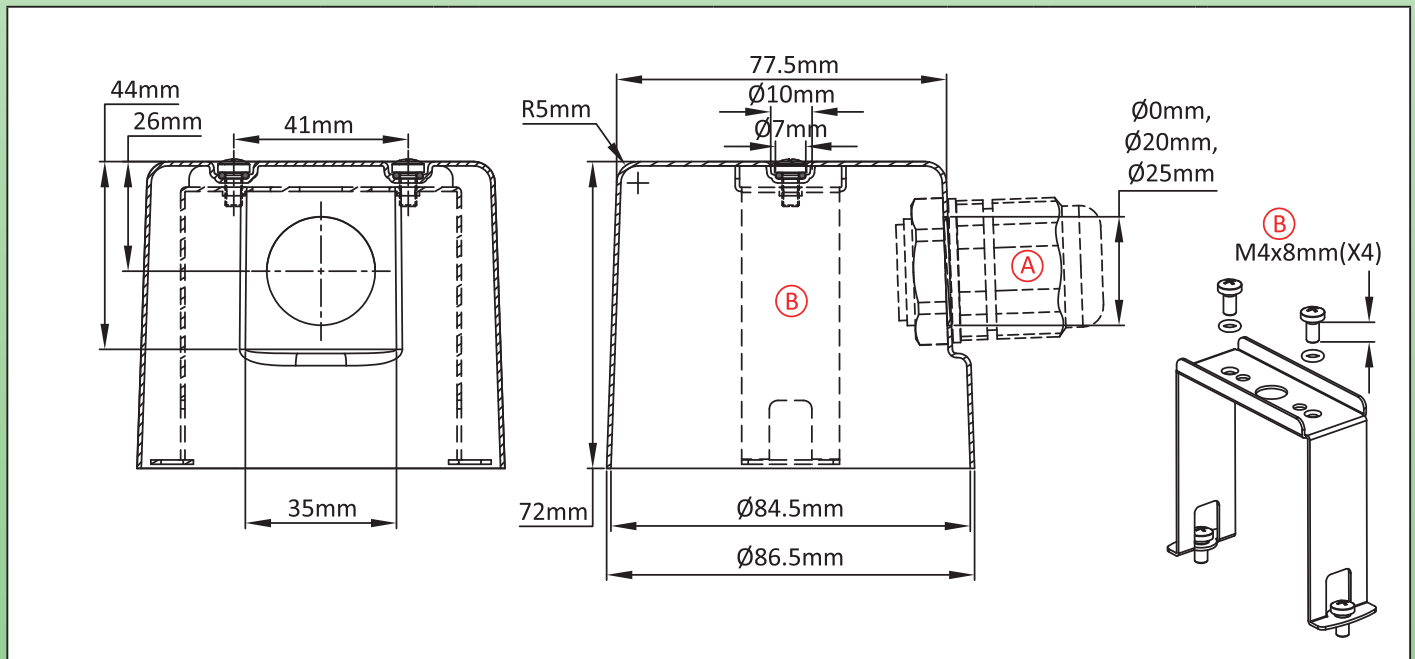


Round, large diameter, simplified immersion heater enclosure

Size(mm)	Volume(cm ³)	Material	Protection grade		Model
Dia. 86 x 72	390	stainless steel	IP69K	IK7	Y3K2

Suitable for
<input type="checkbox"/> Temperature sensor
<input checked="" type="checkbox"/> Immersion heater
<input type="checkbox"/> Finned heater
<input checked="" type="checkbox"/> Thermostat
<input type="checkbox"/> Level sensor
<input type="checkbox"/> Electronic board



Main references

(A)(mm)	(B)	304	316
0	✓	Y3K20001000E2008	Y3K20001000E2009
20	✓	Y3K20001120E2008	Y3K20001120E2009
25	✓	Y3K20001125E2008	Y3K20001125E2009
0	✗	Y3K200010000008	Y3K200010000009
20	✗	Y3K200011200008	Y3K200011200009
25	✗	Y3K200011250008	Y3K200011250009

Links

	Page (.pdf)
	Drawing 2D (.dwg)
	Drawing 3D (.stp)

Cable gland not included in these reference, consult us if you want them.
 Red dimensions inside rectangular frames are used for accessories assembly.

Because of permanent improvement of our products, drawings, descriptions, features used on these data sheets are for guidance only and can be modified without prior advice

