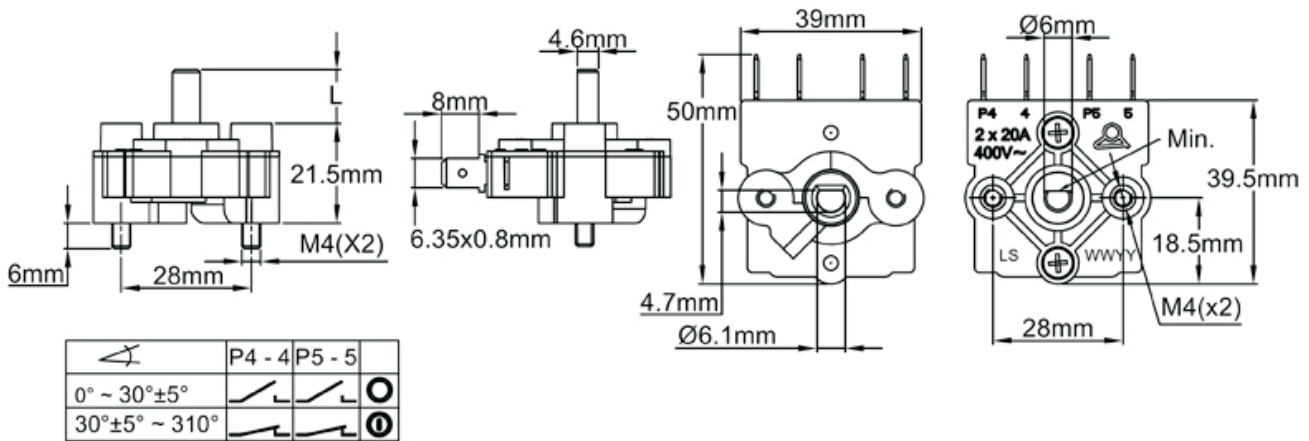


2015 New products

Additional thermostat shaft rotary switch, 20A 250-400V Type LS



Applications

These on-off switches are designed to be added on thermostat shafts. They provide off position when the thermostat shaft is at the minimum position. They are available in single pole contact, two pole (one level) and three pole or four pole contacts (two levels).

Main features

Installation: on thermostats with 6mm shaft and 4.6mm flat, mounting by two M4 screws 28mm distance. Shaft length of thermostat that receives this switch must be 12mm maximum.

Shaft lengths available: 11.5; 15; 23mm

Shafts: Galvanized steel

Operation diagram: the contacts are open between 0° and 30 + / - 5° angular and closed between this value and 310°.

Electrical rating: 20A 250/ 400V res. , 6000 cycles

Rotation: can be used on thermostats with 180 to 310° angular shaft rotation

Contact clearance: between 0 and 20° angle, the contact spacing is greater than 3mm.

Temperature: 85°C

Case Material: PA66, UL94 VO

Connection: 6.35x0.8 tabs. Screw terminals available (MOQ)

Options: change of flat position, different contact opening or closing positions

Main references with shaft length L=11.5mm

Level quantities	Switch quantities	References
1	1	LS12190259025160
1	2	LS12290259025160
2	3	LS12390259025160
2	4	LS12390259025160

*Screw terminals option: replace 60 by V0 on the last 2 numbers in the product reference